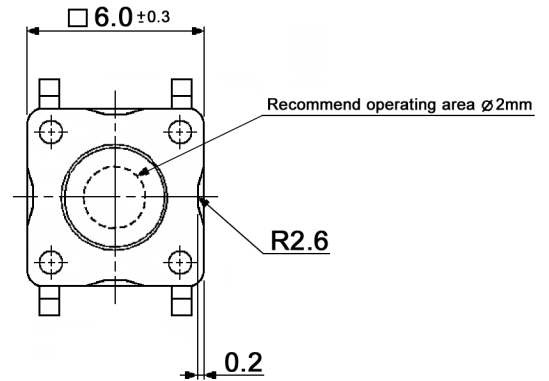
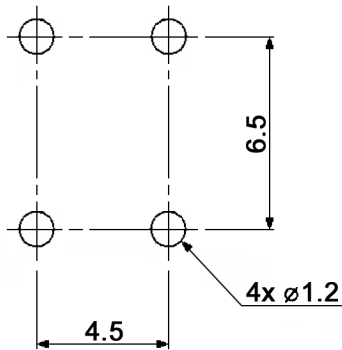


HOLE LAYOUT ± 0.05

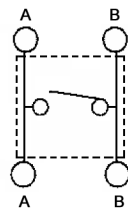


x	Operating force	Mechanical life	Stem color
K	100 +/-30 gf	150 000 cycles	black
N	160 +/-50 gf	150 000 cycles	brown
R	250 +/-70 gf	150 000 cycles	red
S	320 +/-70 gf	100 000 cycles	salmon
Y	520 +/-130 gf	50 000 cycles	yellow

Specifications:

Contact rating: 0.05A max., 12V DC
 Contact resistance: 100mOhm max.
 Insulation resistance: 100MOhm min. at 100V DC for 1 minute
 Dielectric strength: 250V AC (50/60Hz, 2mA) for 1 minute
 Operating temperature: -40°C to +85°C
 Soldering conditions: auto-soldering: 260 +/-5°C, 5 +/-1sec.
 Material: Case: PA46, black
 Terminal: brass strip, silver plated
 Contact plate: C5210, silver plated
 Supporter: SUS, natural
 Stem: PPS

CIRCUIT DIAGRAM



Compliance: RohS III (2015/863/EU)

Tolerances: up to 10: ±0.2mm above 10-50: ±0.3mm	Date	Name
	06/19	dr
Modifications	Date	Name

TS 65 x

30 42 62

Page

1/1

knitter-switch