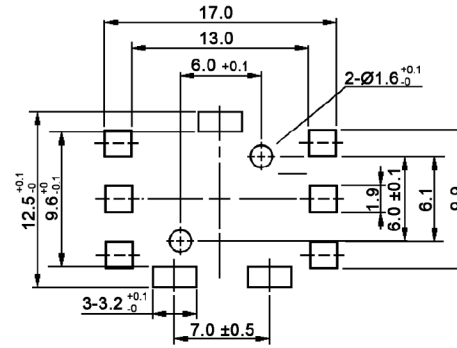


P.C.B. SOLDER LAND DIMENSION



Direction	Connection
A	1 = 4
B	1 = 2
C	1 = 6
D	1 = 5
E (push)	1 = 3

Specification:
 Contact rating: 15V DC, 20mA
 Contact resistance: 100mOhm max
 Insulation resistance: 100MOhm min
 Dielectric strength: 100V AC for the duration of 1 minute
 Operating temperature: -40°C to +85°C
 Operating force: center push: 500gf ±150gf
 4-directional: 280gf ±100gf
 Operating travel: lever: 8° ±2°
 push: 1.0 ±0.2 mm
 Soldering conditions: manual soldering:
 - soldering temperature: 400°C max.
 - soldering time: 4sec.
 reflow soldering conditions:
 - preheat: 150-175°C, 40-80sec.
 - peak: 260°C, 1-4sec.; 2times max.



Tolerances: ±0.3mm			Date	Name	<h1>TSSJ 30</h1>
			06/04	us	
P.C.B. Layout	03/14	dr			<h2>30 04 61</h2>
Soldering conditions	06/13	dr			
Stem shape	06/10	dr			
Operating temperature	08/07	dr	knitter-switch		
Packaging	11/05	dr			
Modifications	Date	Name			Page 1/2

