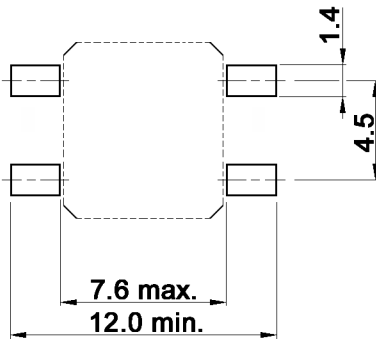
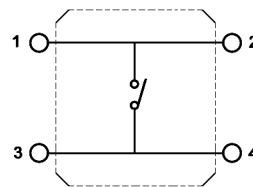


SOLDERING PAD



CIRCUIT DIAGRAM



Compliance: RohS III (2015/863/EU)

Tolerances: 0.1-1.0: ±0.05mm 1.0-5.0: ±0.10mm 5.0-10.0: ±0.20mm 10.0-20.0: ±0.30mm	Date	Name
	09/12	dr
Min. load	03/24	dr
Packaging	07/23	dr
Operating force	04/22	dr
Material contact disc	06/21	dr
Button color	01/21	dr
Operating temperature	04/20	dr
Rename	07/18	dr
Modifications	Date	Name

TSSE 808-xxx T

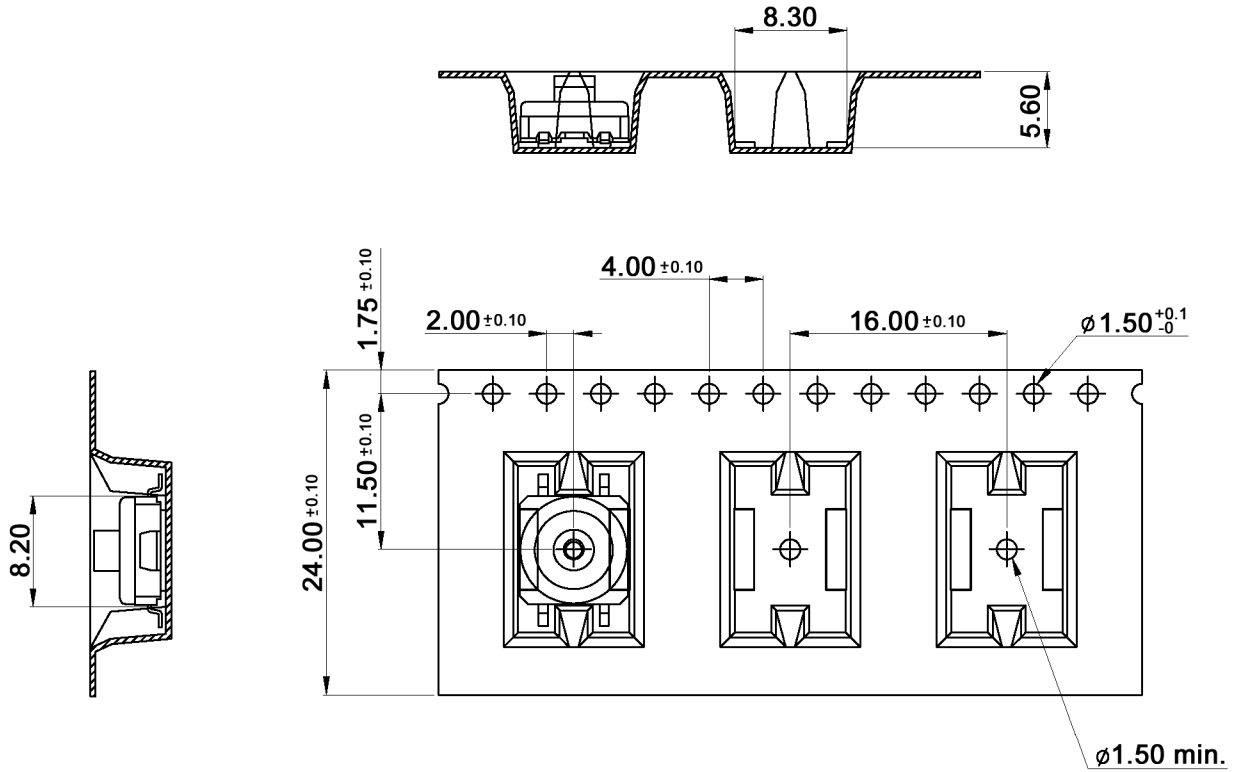
knitter-switch

30 27 14

Page

1/3

Packaging:



Packaging unit: 700 pcs. / reel
 Compliance: RohS III (2015/863/EU)

Tolerances:		Date	Name
0.1-1.0:	±0.05mm	09/12	dr
1.0-5.0:	±0.10mm		
5.0-10.0:	±0.20mm		
10.0-20.0:	±0.30mm		
Min. load	03/24	dr	
Packaging	07/23	dr	
Operating force	04/22	dr	
Material contact disc	06/21	dr	
Button color	01/21	dr	
Operating temperature	04/20	dr	
Rename	07/18	dr	
Modifications	Date	Name	

TSSE 808-xxx T

knitter-switch

30 27 14

Page

3/3