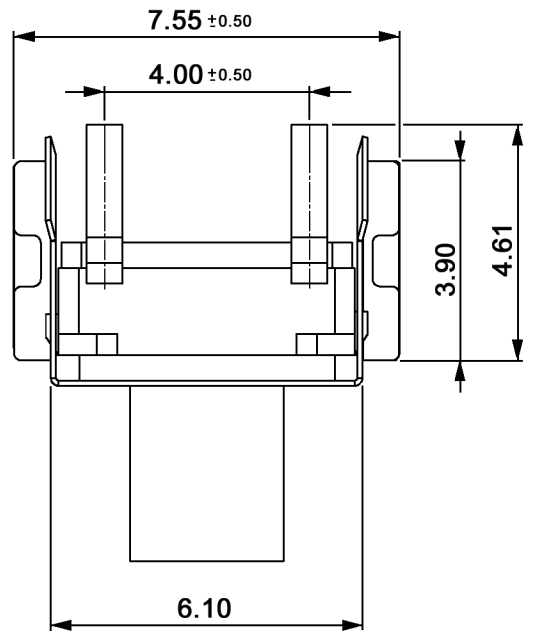
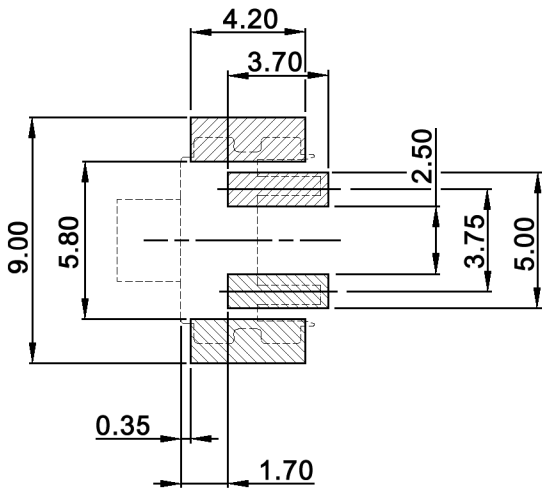
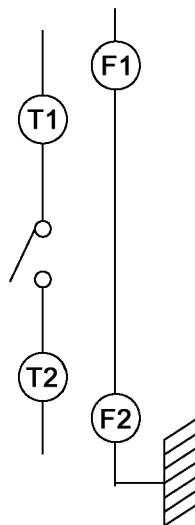


P.C.B. LAYOUT



CIRCUIT DIAGRAM



Compliance: RohS III (2015/863/EU)

Tolerances: ±0.20mm	Date	Name
	01/06	dr
Dimension	08/20	dr
Rename	04/12	dr
Travel	08/10	dr
Modifications	Date	Name

**TSSE 633 x-RA**

**knitter-switch**

**30 07 65**

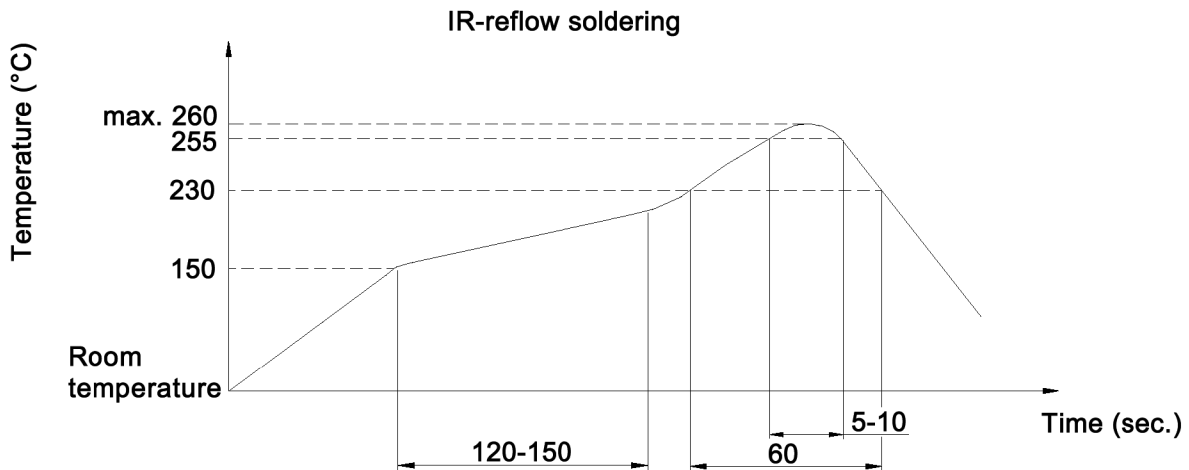
Page

1/2

**Specifications:**

**Contact rating:** 50mA, 12V DC  
**Contact resistance:** 100mOhm max.  
**Insulation resistance:** 100MOhm min. at 500V DC for 1 minute  
**Dielectric strength:** 250V AC (50Hz or 60Hz) for 1 minute  
**Operating temperature:** -40°C to +85°C  
**Storage temperature:** -40°C to +85°C  
**Mechanical life:** 500 000 cycles  
**Travel:** 0.45 +/-0.2mm  
**Material:** Cover: nickel silver  
 Sealed rubber: silicone rubber hardness: 70°-60°  
 Contact: phosphor bronze, silver plated  
 Terminal: brass, silver plated  
 Base: high-temp. thermoplastic PA9T UL94V-0, molded black

**Soldering conditions:**



x	Operating force (gf)	Stem colour
R	260 +/-70	red
N	180 +/-50	brown
RK	260 +/-70	black
NK	180 +/-50	black

Compliance: RohS III (2015/863/EU)

Tolerances: ±0.20mm		Date	Name	<b>TSSE 633 x-RA</b>
		01/06	dr	
Dimension	08/20	dr	<b>knitter-switch</b>	<b>30 07 65</b>
Rename	04/12	dr		
Travel	08/10	dr		
Modifications	Date	Name		Page 2/2