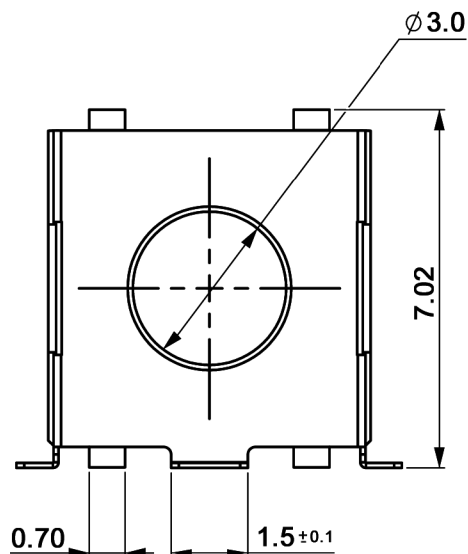
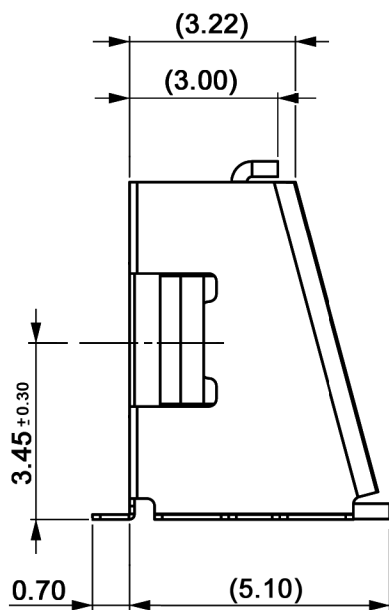
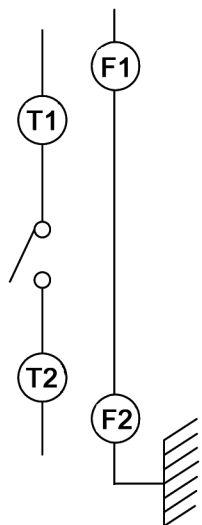
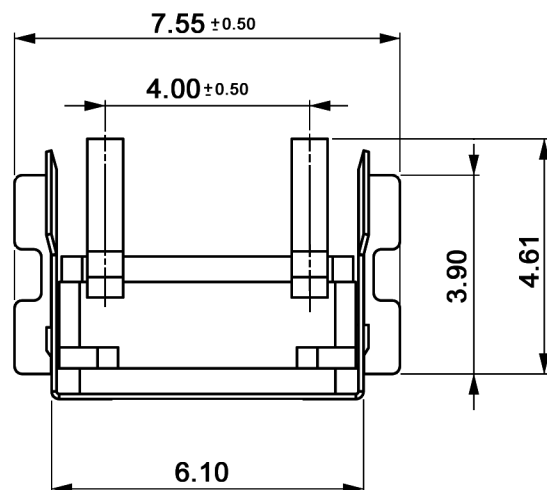
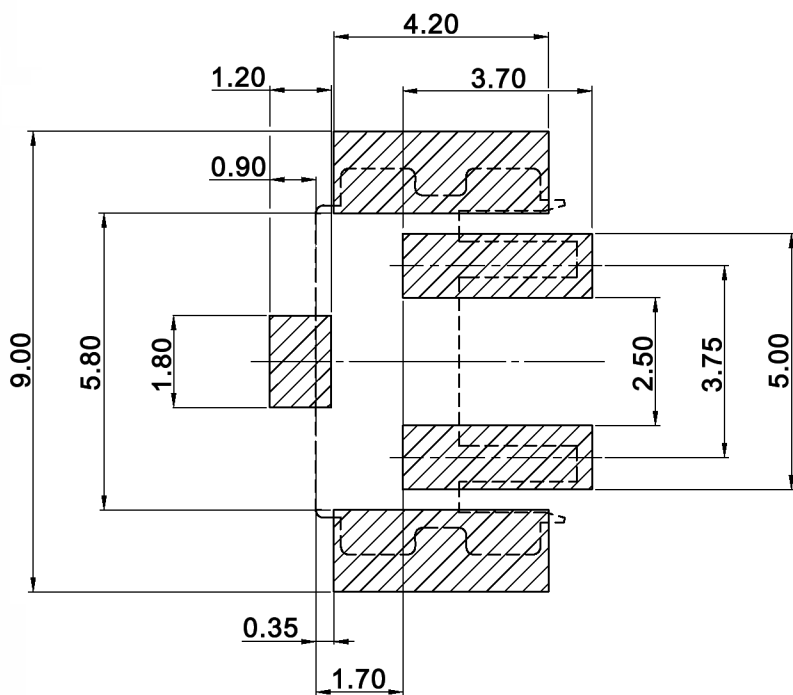


CIRCUIT DIAGRAM



P.C.B. LAYOUT



Compliance: RohS III (2015/863/EU)

|                     |       |      |
|---------------------|-------|------|
| Tolerances: ±0.20mm | Date  | Name |
|                     | 09/21 | dr   |
|                     |       |      |
|                     |       |      |
|                     |       |      |
|                     |       |      |
|                     |       |      |
|                     |       |      |
|                     |       |      |
| Modifications       | Date  | Name |

**TSSE 600 x-RA-1**

**knitter-switch**

**30 46 97**

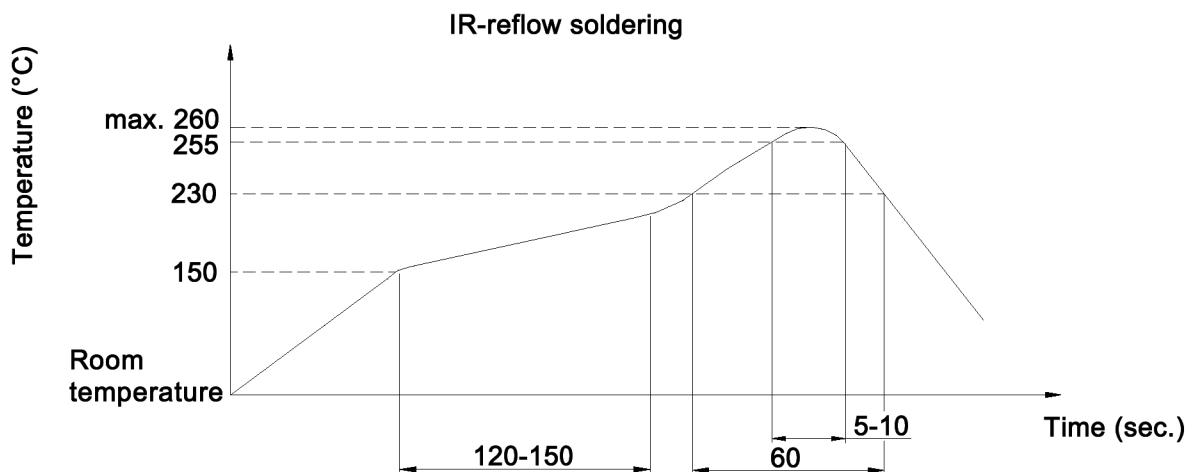
Page

1/2

**Specifications:**

**Contact rating:** 50mA, 12V DC  
**Contact resistance:** 100mOhm max.  
**Insulation resistance:** 100MOhm min. at 500V DC for 1 minute  
**Dielectric strength:** 250V AC (50Hz or 60Hz) for 1 minute  
**Operating temperature:** -40°C to +85°C  
**Storage temperature:** -40°C to +85°C  
**Mechanical life:** 500 000 cycles  
**Travel:** 0.45 +/-0.2mm  
**Material:** Cover: nickel silver  
 Sealed rubber: silicone rubber hardness: 70°-60°  
 Contact: phosphor bronze, silver plated  
 Terminal: brass, silver plated  
 Base: high-temp. thermoplastic PA9T UL94V-0, molded black

**Soldering conditions:**



| x  | Operating force (gf) | Stem colour |
|----|----------------------|-------------|
| R  | 260 +/-70            | red         |
| N  | 180 +/-50            | brown       |
| RK | 260 +/-70            | black       |
| NK | 180 +/-50            | black       |

Compliance: RohS III (2015/863/EU)

|                     |  |       |                       |                        |
|---------------------|--|-------|-----------------------|------------------------|
| Tolerances: ±0.20mm |  | Date  | Name                  | <b>TSSE 600 x-RA-1</b> |
|                     |  | 09/21 | dr                    |                        |
|                     |  |       |                       |                        |
|                     |  |       |                       |                        |
|                     |  |       | <b>knitter-switch</b> | <b>30 46 97</b>        |
| Modifications       |  | Date  | Name                  | Page<br>2/2            |