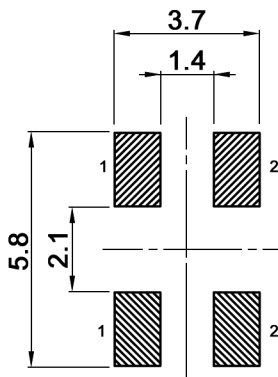
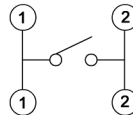


P.C.B. LAND DIMENSIONS



Year	Date code 1-digit	Month	Date code 2-digit
2022	2	Jan	1
2023	3	Feb	2
2024	4	Mar	3
2025	5	Apr	4
2026	6	May	5
2027	7	Jun	6
2028	8	Jul	7
2029	9	Aug	8
2030	0	Sep	9
2031	1	Oct	0
2032	2	Nov	N
		Dec	D

CIRCUIT DIAGRAM



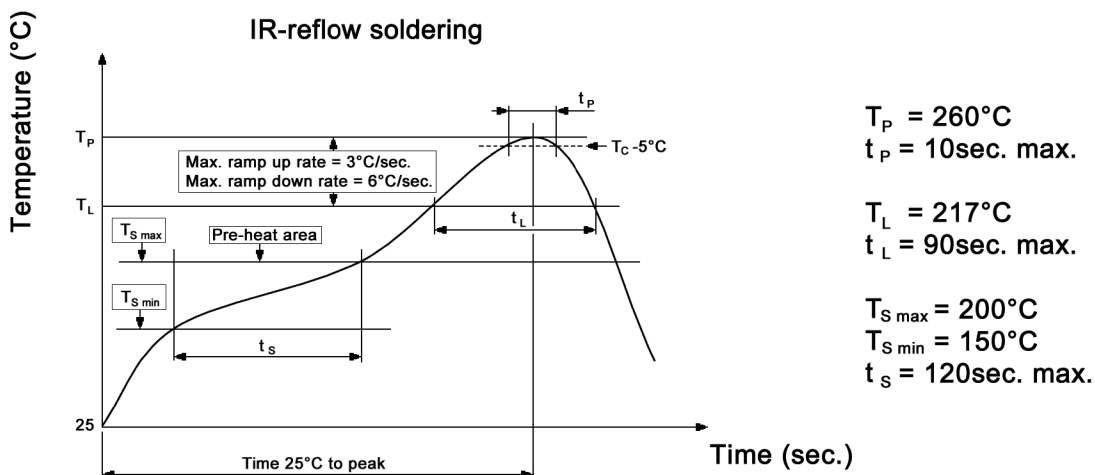
Compliance: RohS III (2015/863/EU)

Tolerances: up to 10: ±0.2 mm above 10-50: ±0.3 mm			Date	Name	<h1>TMSE 10 J</h1>
			10/22	dr	
			<b>knitter-switch</b>		<h2>30 48 99</h2>
Specifications	06/23	dr			Page
Modifications	Date	Name			1/3

**Specifications:**

**Contact rating:** 100 mA, 24 V DC; min. load 1 mA, 3.3 V  
**Contact resistance:** 100 mOhm max.  
**Insulation resistance:** 100 MOhm min. at 500 V DC for 1minute  
**Dielectric strength:** 250 V AC (50/60 Hz, 2 mA) for 1 minute  
**Operating temperature:** -55°C to +125°C  
**Mechanical life:** 100 000 cycles min.  
**Operating force:** 3 N +/-1 N  
**Vibration:** sweep 10-55-10 Hz in 1 minute, amplitude 1.5 mm, 2 hours in each of 6 directions  
**Shock:** 3 shocks of 6 ms, acceleration 735 m/s<sup>2</sup> in each of 6 directions  
**Material:** Stem: silicone rubber, blue  
 Cover: stainless steel  
 Base: LCP, white  
 Contact plate: SUS, 0.5 µm silver plated  
 Terminal / fixed contacts: brass, 0.075 µm gold plated over 1 µm nickel

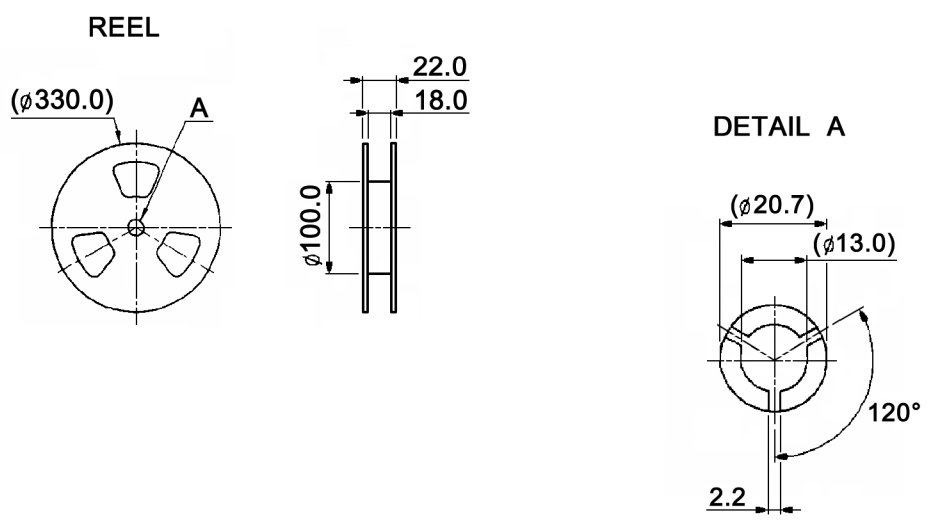
**Soldering conditions:**



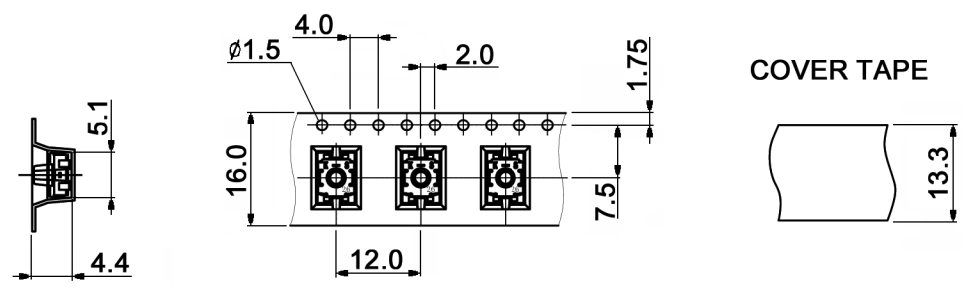
Compliance: RohS III (2015/863/EU)

Tolerances: up to 10: ±0.2 mm above 10-50: ±0.3 mm		Date	Name	<h1>TMSE 10 J</h1>
		10/22	dr	
		<b>knitter-switch</b>		<h2>30 48 99</h2>
Specifications	06/23	dr		Page
Modifications	Date	Name		2/3

Packaging:



CARRIER TAPE



Packaging unit: 1000 pcs. / reel  
 Compliance: RohS III (2015/863/EU)

Tolerances: up to 10: ±0.2 mm above 10-50: ±0.3 mm		Date	Name	<h1>TMSE 10 J</h1>
		10/22	dr	
			<b>knitter-switch</b>	<h2>30 48 99</h2>
Specifications	06/23	dr		Page
Modifications	Date	Name		3/3