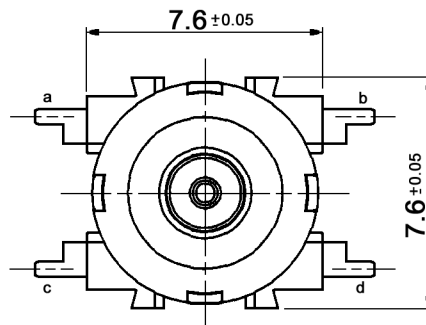
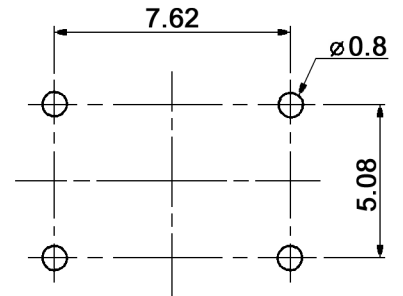
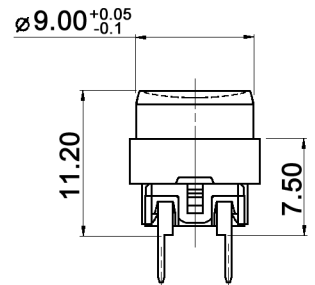
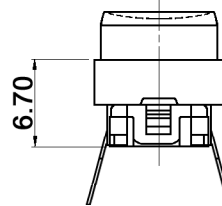
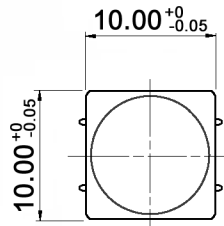


DRILLING PLAN



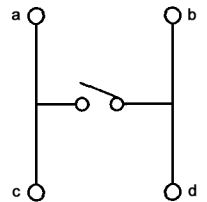
KTT 217



Specifications:

- Contact rating: max. 20mA, max. 50V DC, max. 0.5W
- Contact resistance: 100mOhm max.
- Insulation resistance: 1 000MOhm min. at 100V DC
- Dielectric strength: 250V, 50Hz for the duration of 1 minute
- Operating temperature: -40°C to +85°C
- Mechanical life: min. 1 000 000 cycles
- Operating force: 4.5 +/-1.0N; return force: min. 1N
- Travel: 0.45 +/-0.25mm
- Soldering conditions: auto-soldering: max.: 270°C, 5 +/-1sec.
- Material: Terminal contact: brass, 0.025µm gold plated
Terminal: brass, tin plated
Base: thermoplastic UL94V-0, blue
Contact: stainless steel, 0.025µm gold plated
Button: silicone, black
- IP rating: IP 67
- Compliance: RohS II (2011/65/EU)

CIRCUIT DIAGRAM



Tolerances: up to 10: ±0.2mm above 10-50: ±0.3mm	Date	Name
	09/14	dr

TMP 1-1

knitter-switch

30 31 71

Page

1/1

Modifications	Date	Name
---------------	------	------