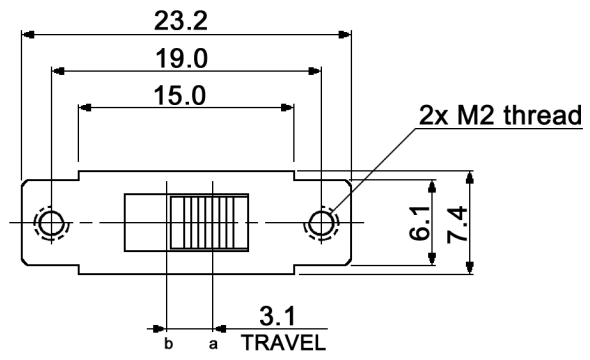
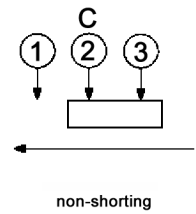
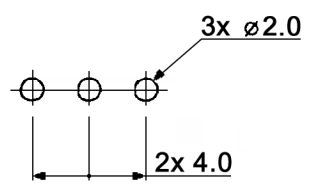


CIRCUIT DIAGRAM
C: COMMON PIN
BOTTOM VIEW



HOLE LAYOUT $\oplus 0.05$



Specifications:

- Contact rating: 0.35A, 30V DC
- Contact resistance: 20mOhm max.
- Insulation resistance: 100MOhm min. at 500V DC for 1 minute
- Dielectric strength: 500V AC (50/60Hz, 2mA) for 1 minute
- Operating temperature: -40°C to +85°C
- Mechanical life: 10 000 cycles
- Operating force: 250 +/-100gf
- Soldering conditions: iron-method: 350 +/-10°C, 3 +/-1sec.
- Material: Terminal: brass strip, silver plated
Frame: SPCC, nickel plated
Base: phenolic resin, natural
Contact plate: brass strip, silver plated
Spring: SWC, temper
Slider: POM, black

x	L(mm)
2.5	2.5
4	4
5	5
6	6
empty	7
9	9
11	11
12	12
14	14

Compliance: RohS II (2011/65/EU)

Tolerances: up to 10: ±0.20mm above 10-50: ±0.30mm	Date	Name
	03/18	dr
Modifications	Date	Name

MFS 131 D-x

30 40 45

knitter-switch