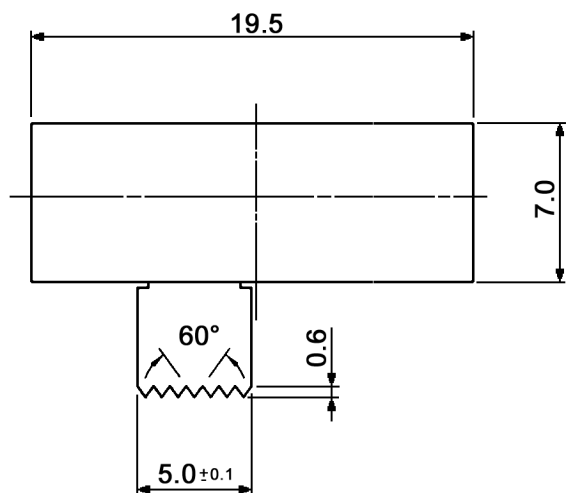
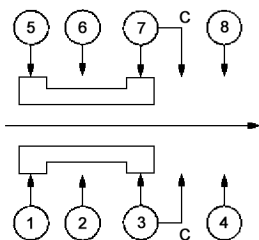


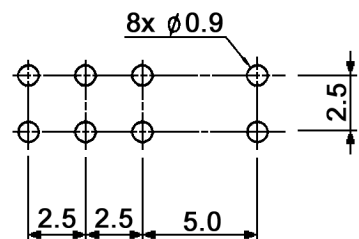
CIRCUIT DIAGRAM
C: COMMON PIN



Specifications:

- Contact rating: 0.3A, 30V; 2A, 5V
- Contact resistance: 20mOhm max.
- Insulation resistance: 100MOhm min. at 500V DC for 1 minute
- Dielectric strength: 500V AC for 1 minute (50 / 60Hz, 2mA)
- Operating temperature: -20°C to +85°C
- Mechanical life: 10 000 cycles
- Operating force: a-b c-b: 300 +/-150gf
b-a b-c: 400 +/-200gf
- Soldering conditions: manual soldering: max. 360°C, max. 4sec.
- Material: Terminal: brass strip, silver plated
Frame: SPCC, zinc plated
Base: phenolic resin, natural
Contact clip: C5210, silver plated
Steel ball: carbon steel, natural
Spring: SWC, temper
Slider: PBT, black

HOLE LAYOUT TOP VIEW ± 0.05



Compliance: RohS II (2011/65/EU)

Tolerances: up to 10: ±0.2mm above 10-50: ±0.3mm	Date	Name
	12/16	dr
Modifications	Date	Name

MFP 2323 R

30 37 37

Page

1/1

knitter-switch