



# Miniature Slide Switches

## Specifications:

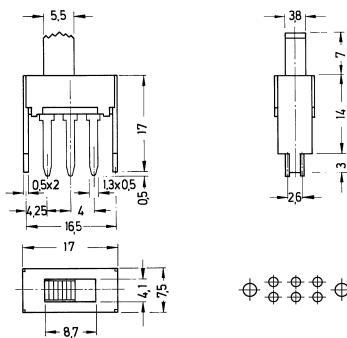
Contact rating:	30 V DC, 350 mA
Contact resistance:	< 20 mΩ
Insulation resistance:	> 100 MΩ at 500 V DC
Dielectric strength:	500 V, 50 Hz for the duration of 1 minute
Operating temperature:	-20 °C to +85 °C
Mechanical life:	minimum 10 000 operations
Contacts:	copper alloy, silver-plated over nickel barrier
Contact timing:	non-shorting
Slide colour:	black, further colours on request
Soldering conditions:	wave-soldering – max.: 5 sec, 260 °C ± 5 °C

## Models:

Switching functions

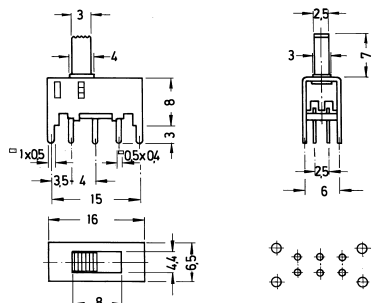
MFP 201 N

on on



MFP 211 N

on on



MFP 12504

on on

