

Subminiature Slide Switches

Specifications:

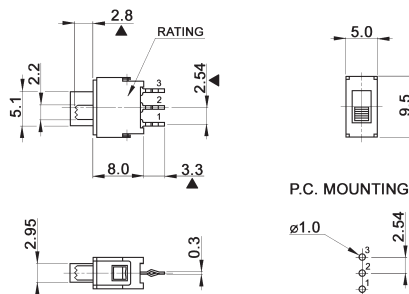
Contact rating:	max. 48 V AC/DC, 0.4 VA / max. 50 mA min. 20 mV AC/DC, 1 μ A
Contact resistance:	< 50 m Ω
Insulation resistance:	> 500 M Ω
Dielectric strength:	500V, 50Hz for the duration of 1 minute
Operating temperature:	-40 °C to +85 °C
Electrical life:	minimum 40 000 operations
Contacts:	phosphor-bronze, gold-plated over nickel barrier
Terminals:	phosphor-bronze, gold-plated over nickel barrier
Protection:	IP 67
Material:	case: PA 66 (UL 94 V-0) switch-support: brass, tin-plated actuator: PBT meets UL 94 V-0 protective cover: silicone rubber
Mounting:	on pc-board
Soldering conditions:	wave-soldering – max.: 5 \pm 1 sec, 260 °C \pm 5 °C

The cap can be removed after washing, the protection of IP 67 is no longer existing.

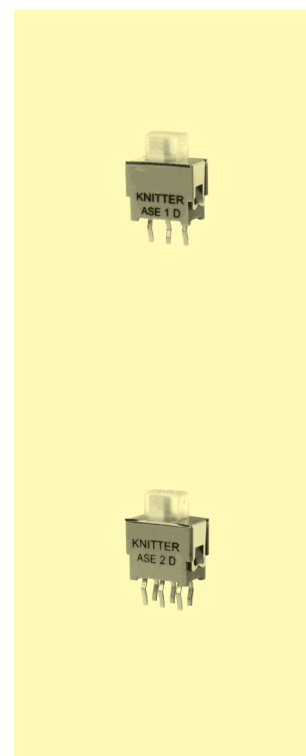
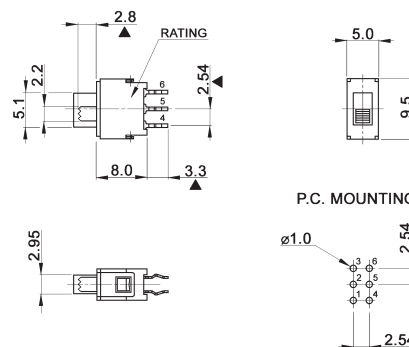
Models: Switching function – the closed contacts correspond to the slide position

washable

SPDT
ASE 1 D on – on
ASE 1 E on off on



DPDT
ASE 2 D on – on
ASE 2 E on off on



UL recognized components on request.