

Microminiature Slide Switches for SMT

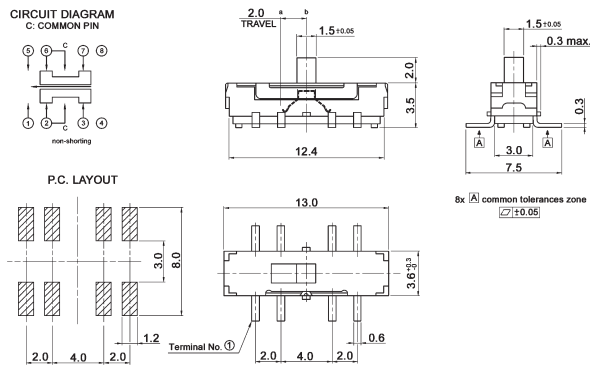
Specifications:

Contact rating:	12 V DC, 200 mA / 6 V DC, 300 mA
Contact resistance:	< 70 mΩ
Insulation resistance:	> 100 MΩ at 500 V DC
Dielectric strength:	500 V, 50 Hz for the duration of 1 minute
Operating temperature:	-40 °C to +85 °C
Mechanical life:	MMS 228 T: minimum 10 000 operations MMS 238 T: minimum 5 000 operations
Contacts/Terminals:	stainless steel, silver-plated
Contact timing:	non-shorting
Slide colour:	black
Soldering conditions:	reflow-soldering

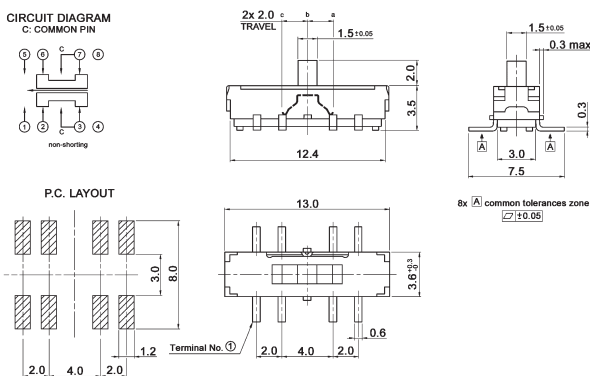
6

Models: Switching functions

MMS 228 T on on



MMS 238 T on on on



Packing: on tapes, 900 pieces / tape

