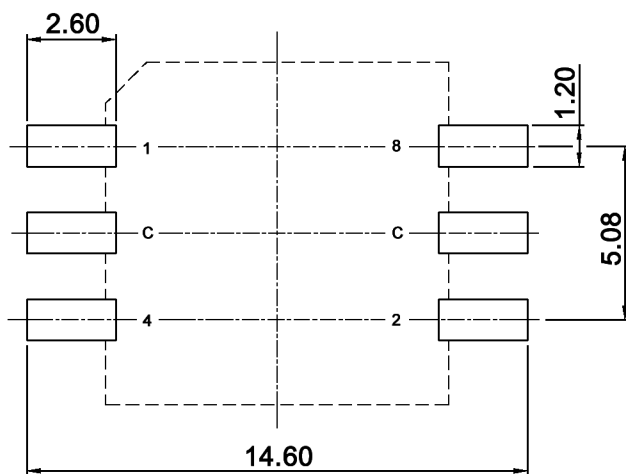


coplanarity failure +/-0.05mm max.

Hexadecimal inverse

	Complement coded			
	1	2	4	8
0	●	●	●	●
1		●	●	●
2	●		●	●
3		●		●
4	●	●		●
5		●		●
6	●			●
7				●
8	●	●	●	
9		●	●	
A	●		●	
B			●	
C	●	●		
D		●		
E	●			
F				

P.C.B. DIMENSION



Compliance: RohS III (2015/863/EU)

Tolerances:			Date	Name
Material	11/21	dr	08/08	dr
Actuator	11/21	dr		
Contact rating	08/14	dr		
Temperatures	12/12	dr		
IP rating	07/09	dr		
Operating temperature	11/08	dr		
Coplanarity failure	08/08	dr		
Modifications	Date	Name		

SMR 60116 (T)

knitter-switch

30 15 55

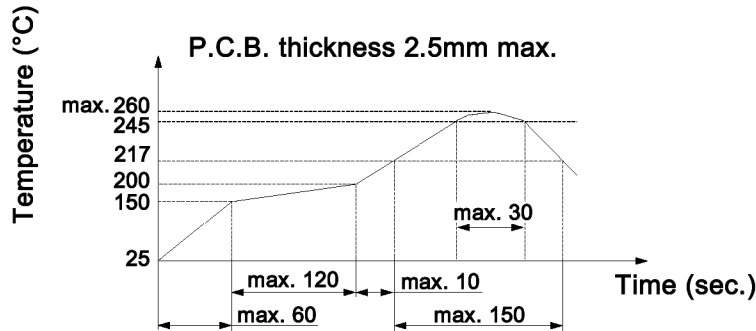
Page

1/3

Specifications:

Contact rating: non-switching: 200mA, 42V
switching: 150mA, 42V
Contact resistance: 80mOhm max.
Insulation resistance: 100MOhm min. at 250V DC for 1 minute +/-5sec.
Dielectric strength: 250V AC (50/60Hz) for 1 minute
Operating temperature: -60°C to +125°C
Storage temperature: -60°C to +125°C
Mechanical life: 10 000 cycles
Operating force: 700gf/cm max.
Material: Cover / base: LCP, gray
Actuator: PA 66, blue
Contact / terminal: phosphor bronze, 0.07µ min. gold plated
over 0.1µ min. nickel
PCB: epoxy seal, 0.05µ min. gold plated
O-ring: silicone
IP rating: IP67

Soldering conditions:



The condition mentioned above is the temperature on the Cu foil of PCB surface. It might happen that the board's temperature greatly differs from switch's surface temperature depending on board's material, size, thickness, etc. Therefore, care should be used not to allow switch's surface temperature to exceed 260°C.

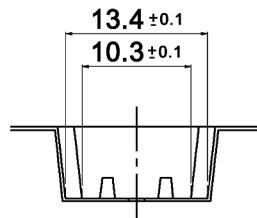
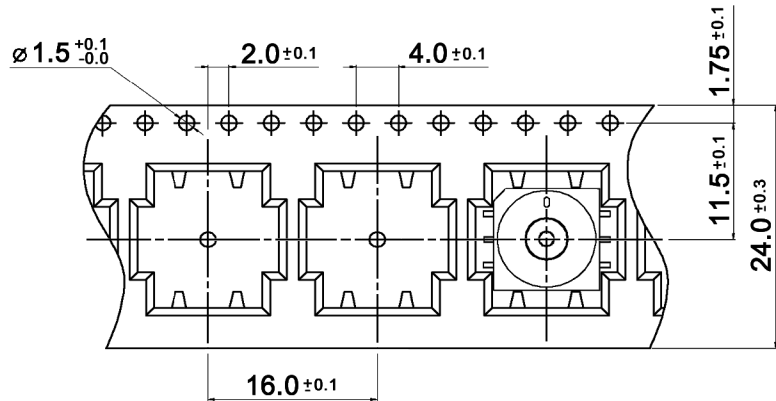
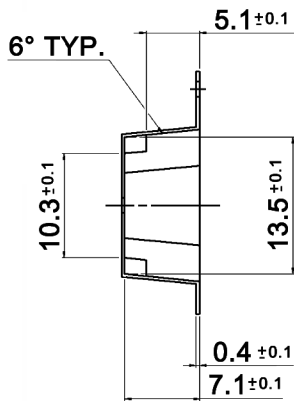
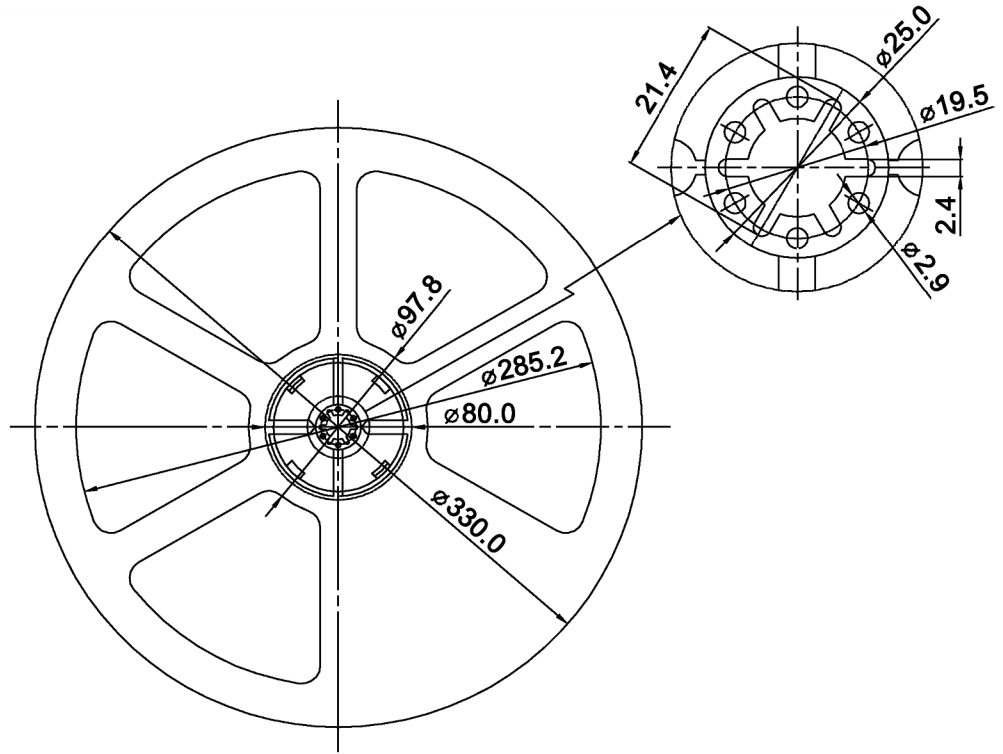
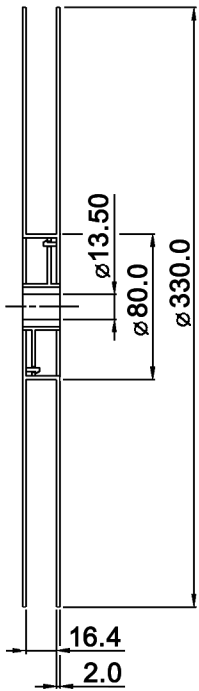
Precautions in handling

Care should be exercised so that flux from the upper part of the printed circuit board does not adhere to the switch.

Compliance: RohS III (2015/863/EU)

Tolerances:			Date	Name	<h1>SMR 60116 (T)</h1>	
Material	11/21	dr	08/08	dr		
Actuator	11/21	dr				
Contact rating	08/14	dr				
Temperatures	12/12	dr				
IP rating	07/09	dr	knitter-switch		<h2>30 15 55</h2>	
Operating temperature	11/08	dr				Page
Coplanarity failure	08/08	dr				2/3
Modifications	Date	Name				

Packaging:



Ordering code	Packaging
SMR 60116	50 pcs / tube
SMR 60116 T	600 pcs / reel

Compliance: RohS III (2015/863/EU)

Tolerances:			Date	Name	<h1>SMR 60116 (T)</h1>
Material	11/21	dr	08/08	dr	
Actuator	11/21	dr			
Contact rating	08/14	dr			
Temperatures	12/12	dr			
IP rating	07/09	dr			
Operating temperature	11/08	dr	knitter-switch		<h2>30 15 55</h2>
Coplanarity failure	08/08	dr			
Modifications	Date	Name			Page 3/3