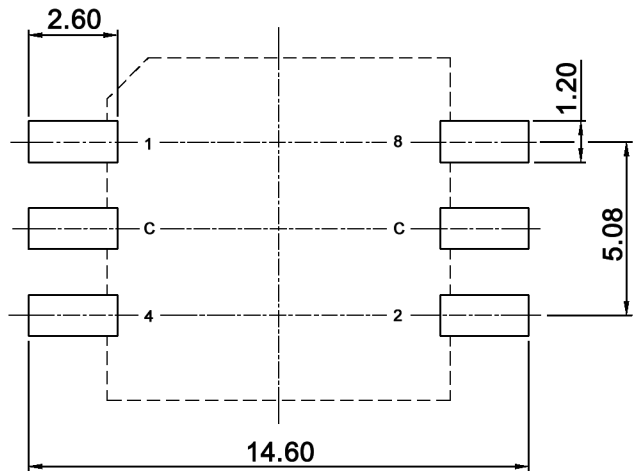


coplanarity failure +/-0.05mm max.

P.C.B. DIMENSION

		BCD				
		Real coded				
		C	1	2	4	8
10 P o s i t i o n s	0	●				
	1	●	●			
	2	●		●		
	3	●	●	●		
	4	●			●	
	5	●	●		●	
	6	●		●	●	
	7	●	●	●	●	
	8	●				●
	9	●	●			●

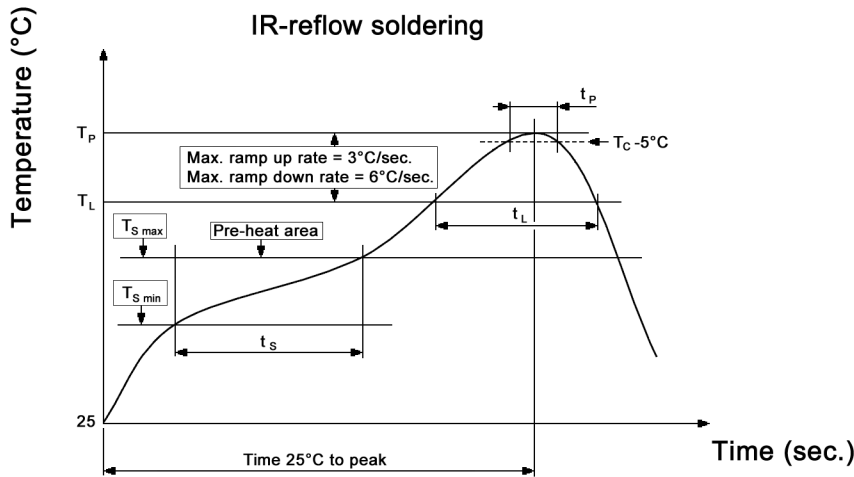


Compliance: RohS III (2015/863/EU)

Tolerances:		Date	Name	<h1>SMR 60010 (T)</h1>
		01/08	dr	
Material	02/21	dr		
Contact rating	08/14	dr		
Temperatures	12/12	dr		
IP rating	07/09	dr		
Operating temperature	11/08	dr		
Coplanarity failure	08/08	dr	knitter-switch	<h2>30 13 61</h2>
Packaging	07/08	dr		
Modifications	Date	Name		1/3

Specifications:

Contact rating: non-switching: 200mA, 42V
 switching: 150mA, 42V
Contact resistance: 80mOhm max.
Insulation resistance: 100MOhm min. at 250V DC for 1 minute +/-5sec.
Dielectric strength: 250V AC (50/60Hz) for 1 minute
Operating temperature: -60°C to +125°C
Storage temperature: -60°C to +125°C
Mechanical life: 10 000 cycles
Operating force: 700gf/cm max.
Material: Cover / base: LCP, gray
 Actuator: PA66, white
 Contact / terminal: phosphor bronze, min. 0.07µm gold plated
 over min. 0.1µm nickel
 PCB: epoxy seal, 0.05µ min. gold plated
 O-ring: silicone, black
IP rating: IP67
Soldering conditions:



$T_P = 260^\circ C$
 $t_P = 10\text{sec. max.}$

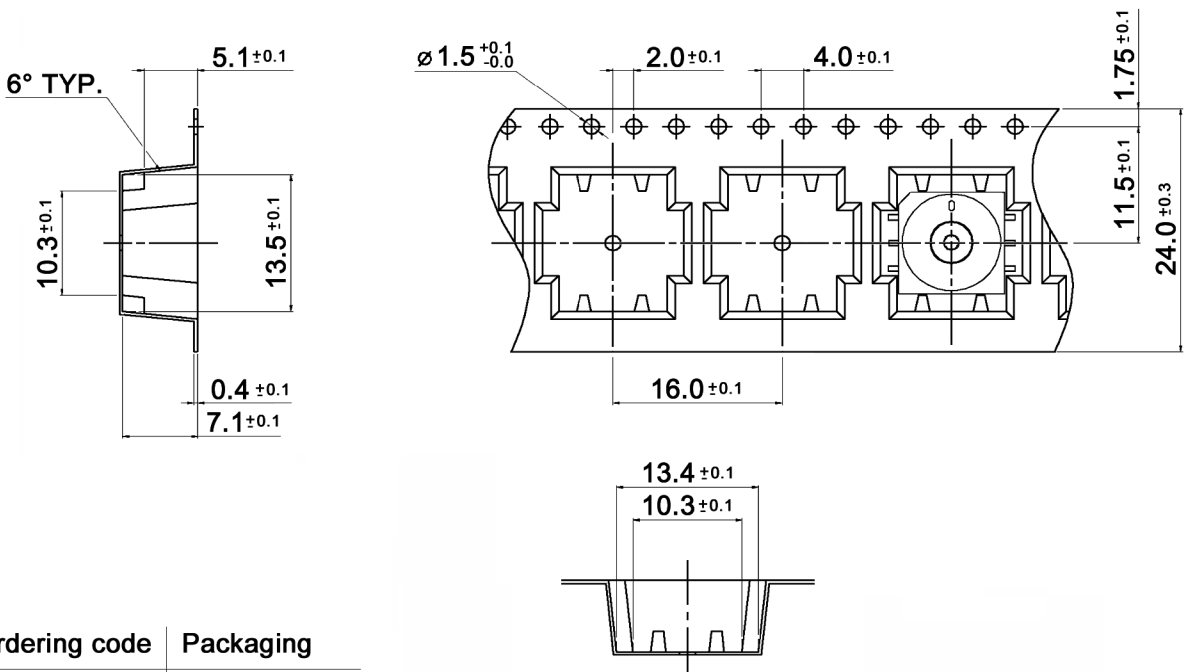
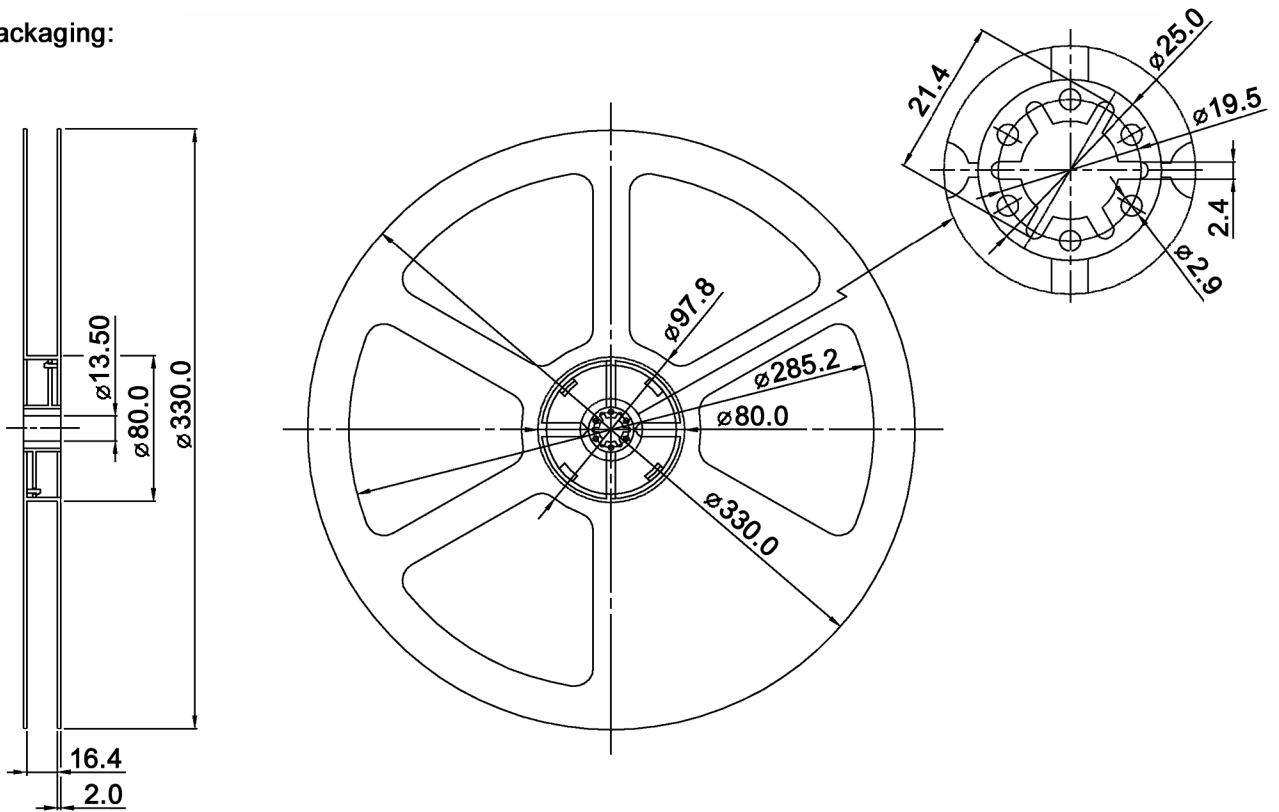
$T_L = 217^\circ C$
 $t_L = 90\text{sec. max.}$

$T_{S\ max} = 200^\circ C$
 $T_{S\ min} = 150^\circ C$
 $t_S = 120\text{sec. max.}$

Compliance: RohS III (2015/863/EU)

Tolerances:			Date	Name	SMR 60010 (T)	
Material	02/21	dr	01/08	dr		
Contact rating	08/14	dr				
Temperatures	12/12	dr				
IP rating	07/09	dr				
Operating temperature	11/08	dr	knitter-switch		30 13 61	
Coplanarity failure	08/08	dr				Page
Packaging	07/08	dr				2/3
Modifications	Date	Name				

Packaging:



Ordering code	Packaging
SMR 60010	50 pcs / tube
SMR 60010 T	600 pcs / reel

Compliance: RohS III (2015/863/EU)

Tolerances:			Date	Name	<h1>SMR 60010 (T)</h1>
Material	02/21	dr	01/08	dr	
Contact rating	08/14	dr			
Temperatures	12/12	dr			
IP rating	07/09	dr			
Operating temperature	11/08	dr	knitter-switch		<h2>30 13 61</h2>
Coplanarity failure	08/08	dr			
Packaging	07/08	dr			
Modifications	Date	Name			Page 3/3