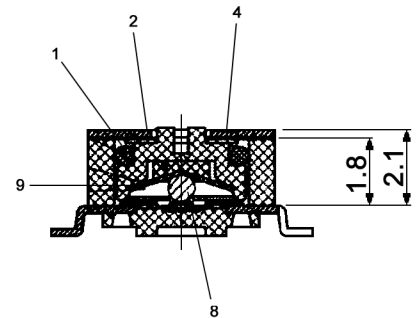
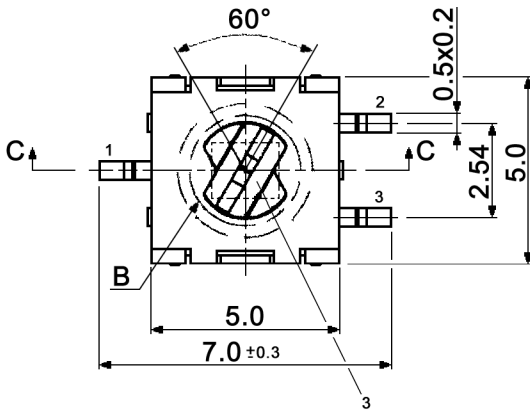
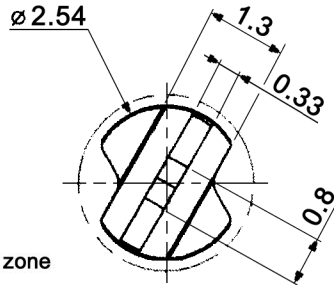
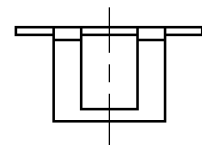


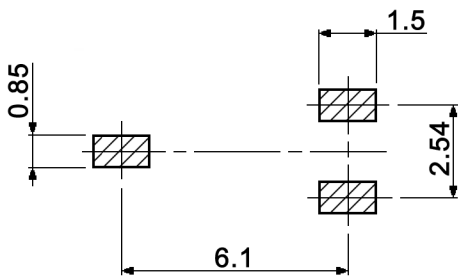
DETAIL B



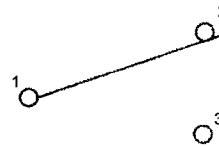
SECTION C-C



P.C.B. LAYOUT  
(TOP VIEW)



CIRCUIT DIAGRAM  
1: COMMON PIN  
TOP VIEW



Compliance: RohS II (2011/65/EU)

Tolerances: up to 10: ±0.2mm above 10-50: ±0.3mm	Date	Name
	12/10	dr
Operating temperature	02/17	dr
Contact rating	07/15	dr
Modifications	Date	Name

**SMR 1-30**

**30 22 60**

Page

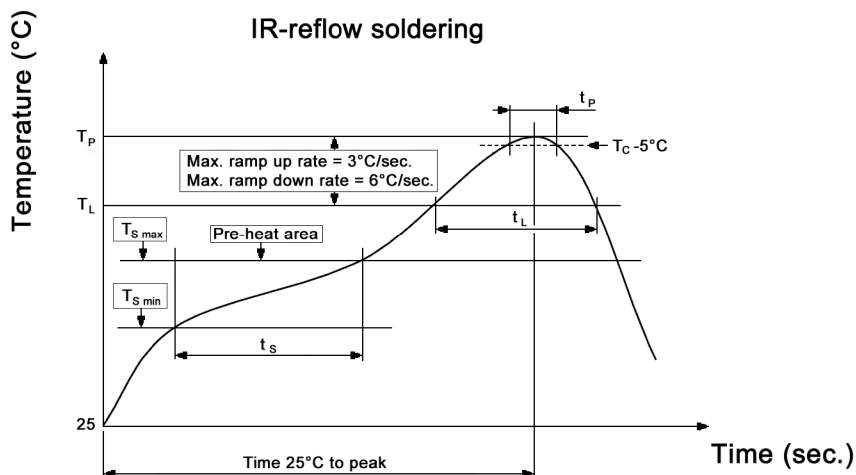
1/3

**knitter-switch**

**Specifications:**

- Contact rating:** switching: 50mA, 12V DC  
non-switching: 100mA, 60V DC
- Contact resistance:** 100mOhm max.
- Insulation resistance:** 500MOhm min. at 500V DC for 1 minute
- Dielectric strength:** 500V AC (50Hz, 2mA) for 1 minute
- Operating temperature:** -40°C to +105°C
- Operating force:** 200gf max.
- Material:**
- 1 - O-ring: silicone rubber, black
  - 2 - Rubber piece: silicone rubber, black
  - 3 - Stem: LCP, dark grey
  - 4 - E-ring: stainless steel, washing
  - 5 - Case: LCP, dark grey
  - 6 - Cover: stainless steel, washing
  - 7 - Terminal: brass, 0.25µm gold plated
  - 8 - Lever supporter: brass, 0.5µm gold plated
  - 9 - Spring plate: stainless steel, washing

**Soldering conditions:**



$T_P = 260^\circ\text{C}$   
 $t_P = 10\text{sec. max.}$

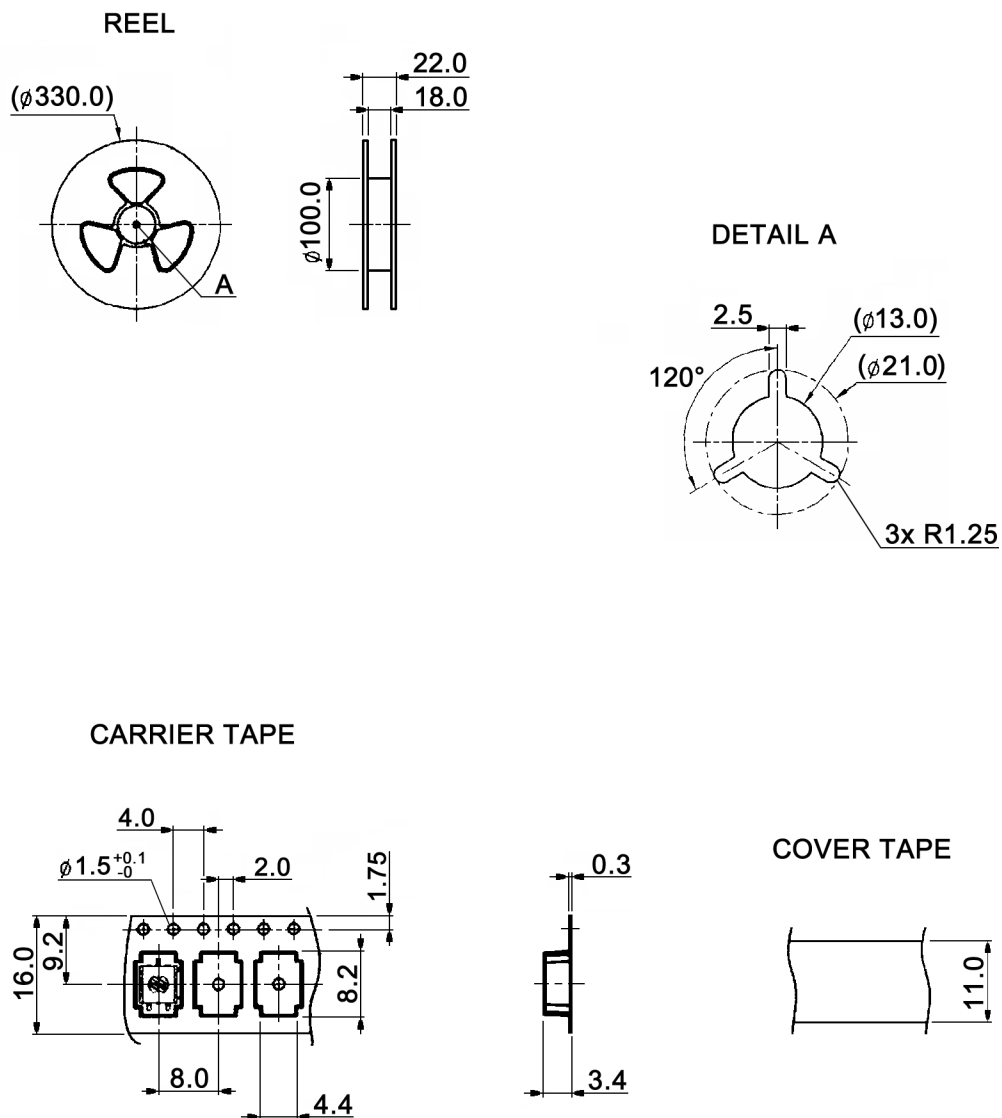
$T_L = 217^\circ\text{C}$   
 $t_L = 90\text{sec. max.}$

$T_{S\ max} = 200^\circ\text{C}$   
 $T_{S\ min} = 150^\circ\text{C}$   
 $t_S = 120\text{sec. max.}$

**Compliance: RohS II (2011/65/EU)**

Tolerances: up to 10: ±0.2mm above 10-50: ±0.3mm		Date	Name	<h1>SMR 1-30</h1>
		12/10	dr	
		<b>knitter-switch</b>		<h2>30 22 60</h2>
Modifications	Date	Name		Page 2/3

Packaging:



Packaging unit: 2000 pcs. / reel  
 Compliance: RohS II (2011/65/EU)

Tolerances: up to 10: ±0.2mm above 10-50: ±0.3mm		Date	Name
		12/10	dr
Modifications	Date	Name	

**SMR 1-30**

**30 22 60**