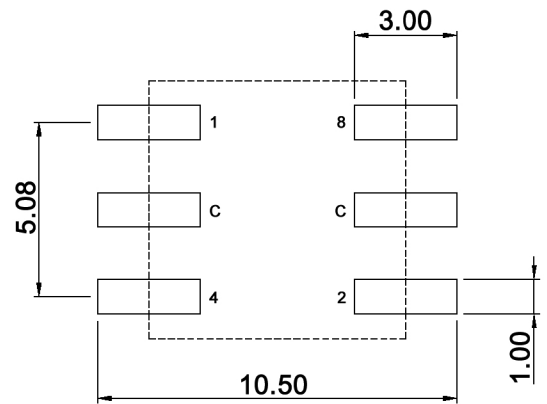


BCD inverse

		Complement coded				
		C	1	2	4	8
10 Positions	0	●	●	●	●	●
	1	●		●	●	●
	2	●	●		●	●
	3	●			●	●
	4	●	●	●		●
	5	●		●		●
	6	●	●			●
	7	●				●
	8	●	●	●	●	
	9	●		●	●	

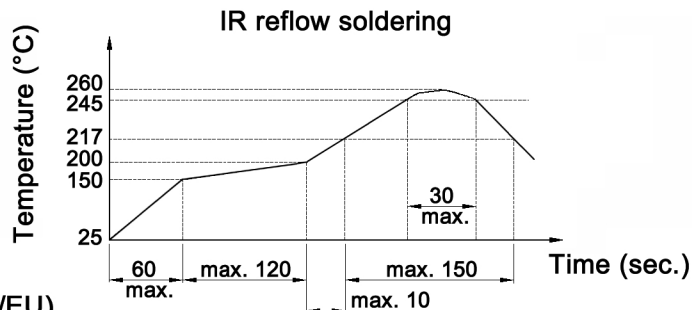
P.C.B. DIMENSION



Specifications:

- Contact rating:** non-switching: 400mA, 42V
switching: 100mA, 42V
- Contact resistance:** 80mOhm max.
- Insulation resistance:** 100MOhm min. at 250V DC for 1 minute +/-5sec.
- Dielectric strength:** 250V DC (50Hz/60Hz) for 1 minute
- Operating temperature:** -50°C to +125°C
- Storage temperature:** -55°C to +135°C
- Mechanical life:** 25 000 cycles
- Operating force:** 2.5 Ncm max.
- Material:** Cover / spring plate / guide plate: stainless steel
Contact / terminal: phosphor bronze, min. 0.07µm gold plated over min. 0.3µm nickel
Rotor / base: LCP, UL94V-0
O-ring: silicone
Actuator color: orange

- Protection:** IP67
- Soldering conditions:**



Compliance: RohS III (2015/863/EU)

Tolerances: DIN ISO-2768-1m 0.5-6: ±0.1 mm 6-30: ±0.2 mm	Date	Name
	10/08	dr
Torque	05/24	dr
Packaging	02/15	dr
Packaging	06/12	dr
Soldering conditions	10/09	dr
Material	05/09	dr
Modifications	Date	Name

SMR 15110

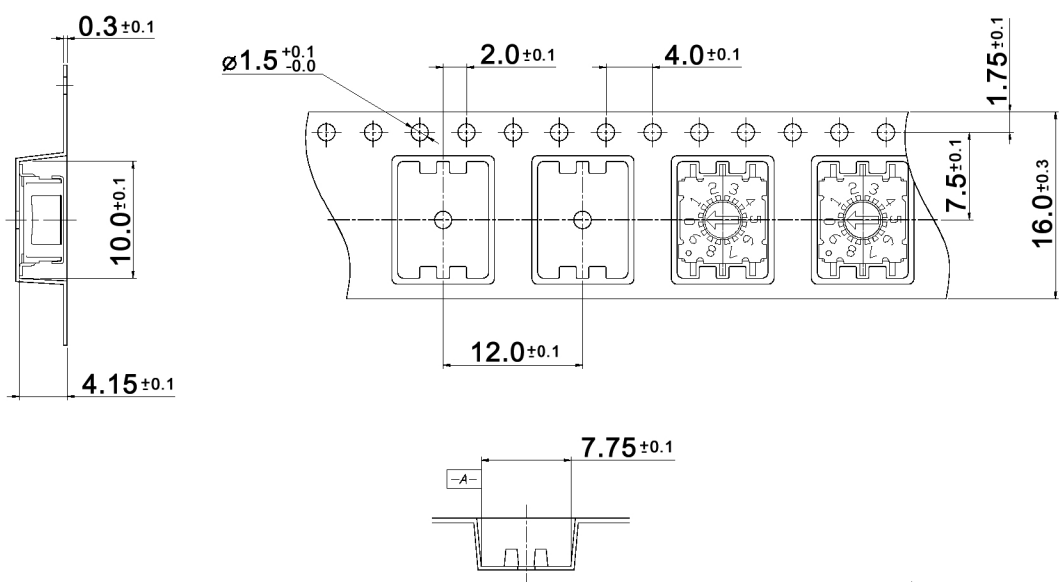
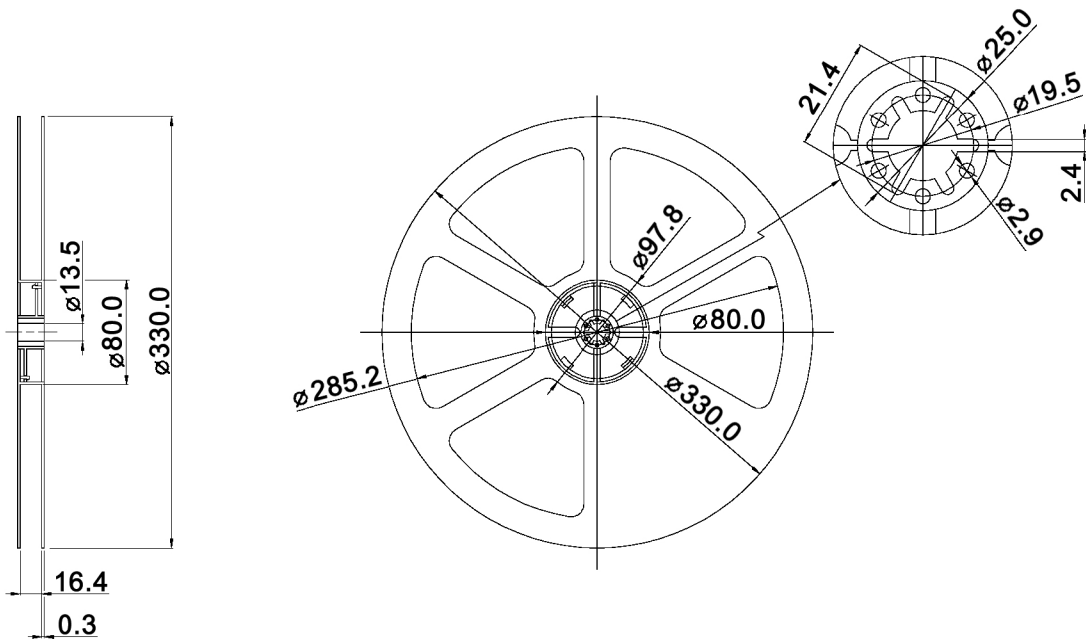
30 16 17

knitter-switch

Page

1/2

Packaging:



Type	Packaging unit
SMR 15110	70 pcs. per stick
SMR 15110 T	1300 pcs. per reel

Tolerances on tape: ±0.20mm
 Compliance: RohS III (2015/863/EU)

Tolerances:	0.0: ±0.13mm	0.00: ±0.10mm	Date	Name
			10/08	dr
Torque	05/24	dr		
Packaging	02/15	dr		
Packaging	06/12	dr		
Soldering conditions	10/09	dr		
Material	05/09	dr		
Modifications	Date	Name		

SMR 15110

knitter-switch

30 16 17

Page
2/2