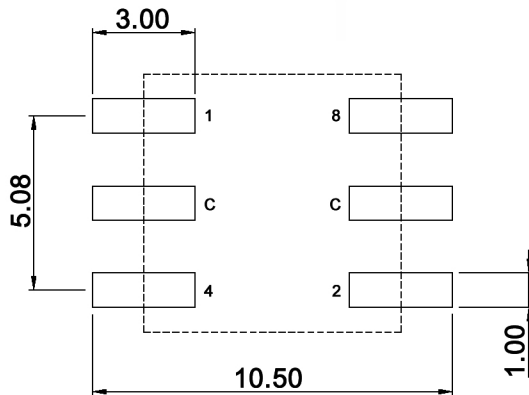


**P.C.B. DIMENSION**



**Hexadecimal**

		Real coded				
		C	1	2	4	8
16 P o s i t i o n s	0	●				
	1	●	●			
	2	●		●		
	3	●	●	●		
	4	●			●	
	5	●	●		●	
	6	●		●	●	
	7	●	●	●	●	
	8	●				●
	9	●	●			●
	A	●		●		●
	B	●	●	●		●
	C	●			●	●
	D	●	●		●	●
	E	●		●	●	●
	F	●	●	●	●	●

Tolerances:  
 DIN ISO-2768-1m  
 0.5-6: ±0.1 mm  
 6-30: ±0.2 mm

Compliance: RohS III (2015/863/EU)

Tolerances:			Date	Name
Torque	05/24	dr	10/08	dr
JEDEC-ST 020 D	01/19	dr		
Packaging	02/15	dr		
Packaging	06/12	dr		
Soldering conditions	10/09	dr		
Material	05/09	dr		
Modifications	Date	Name		

**SMR 15016 (T)**

**30 16 18**

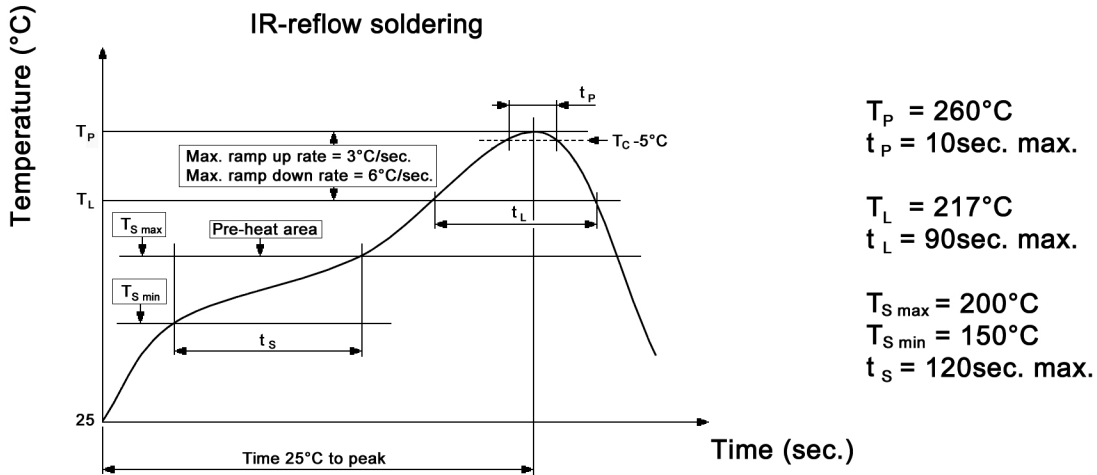
Page

1/3

**knitter-switch**

**Specifications:**

**Contact rating:** non-switching: 400mA, 42V  
 switching: 100mA, 42V  
**Contact resistance:** 80mOhm max.  
**Insulation resistance:** 100MOhm min. at 250V DC for 1 minute +/-5sec.  
**Dielectric strength:** 250V DC (50Hz/60Hz) for 1 minute  
**Operating temperature:** -50°C to +125°C  
**Storage temperature:** -55°C to +135°C  
**Mechanical life:** 25 000 cycles  
**Operating force:** 2.5 Ncm max.  
**Material:** Cover / spring plate / guide plate: stainless steel  
 Contact / terminal: phosphor bronze, min. 0.07µm gold plated  
 over min. 0.3µm nickel  
 Rotor / base: LCP, UL94V-0  
 O-ring: silicone  
 Actuator color: gray  
**Protection:** IP67  
**Soldering conditions:**



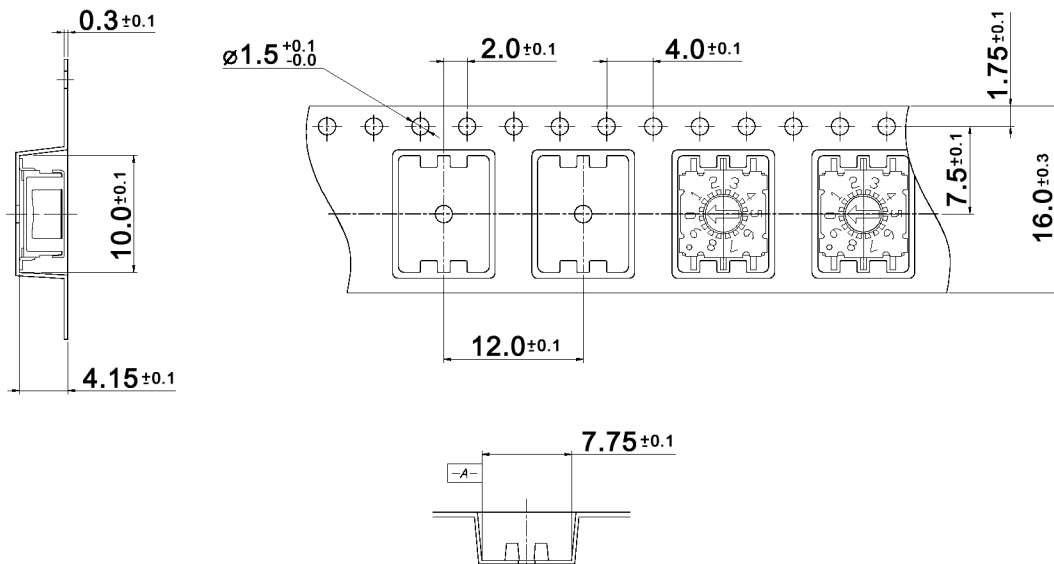
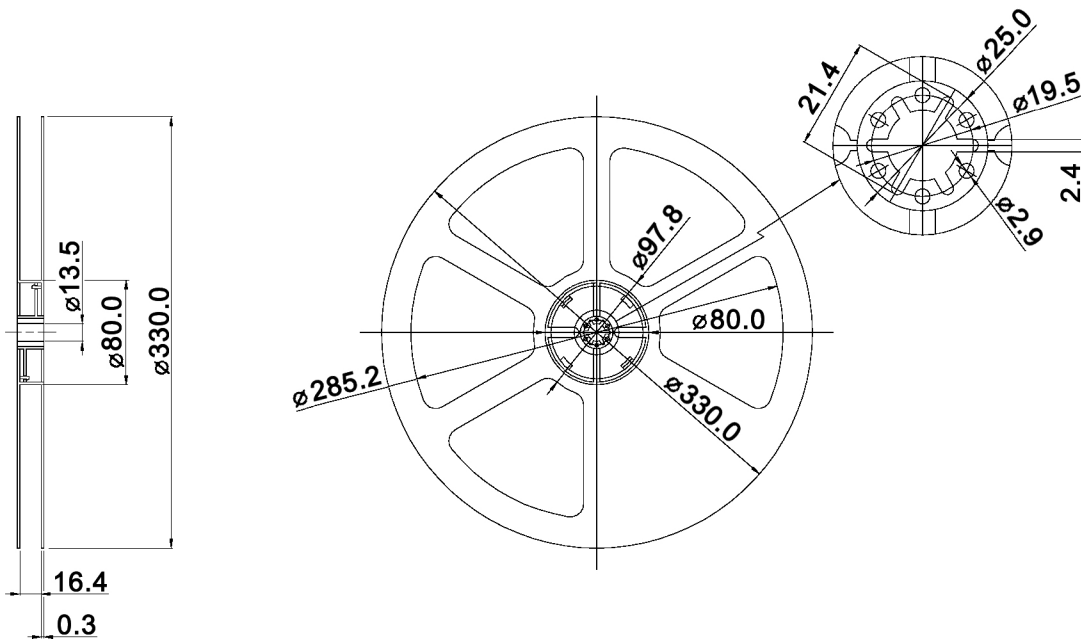
**Tolerances:**

DIN ISO-2768-1m  
 0.5-6: ±0.1 mm  
 6-30: ±0.2 mm

**Compliance: RohS III (2015/863/EU)**

Tolerances:			Date	Name	<h1>SMR 15016 (T)</h1>
			10/08	dr	
Torque	05/24	dr			
JEDEC-ST 020 D	01/19	dr			
Packaging	02/15	dr			<h2>30 16 18</h2>
Packaging	06/12	dr			
Soldering conditions	10/09	dr	<b>knitter-switch</b>		
Material	05/09	dr			Page
Modifications	Date	Name			2/3

Packaging:



Type	Packaging unit
SMR 15016	70 pcs. per stick
SMR 15016 T	1300 pcs. per reel

Tolerances on tape:  $\pm 0.20\text{mm}$   
 Compliance: RohS III (2015/863/EU)

Tolerances:		Date	Name
0.0: $\pm 0.13\text{mm}$		10/08	dr
0.00: $\pm 0.10\text{mm}$			
Torque	05/24	dr	
JEDEC-ST 020 D	01/19	dr	
Packaging	02/15	dr	
Packaging	06/12	dr	
Soldering conditions	10/09	dr	
Material	05/09	dr	
Modifications	Date	Name	

**SMR 15016 (T)**

**knitter-switch**

**30 16 18**

Page

3/3