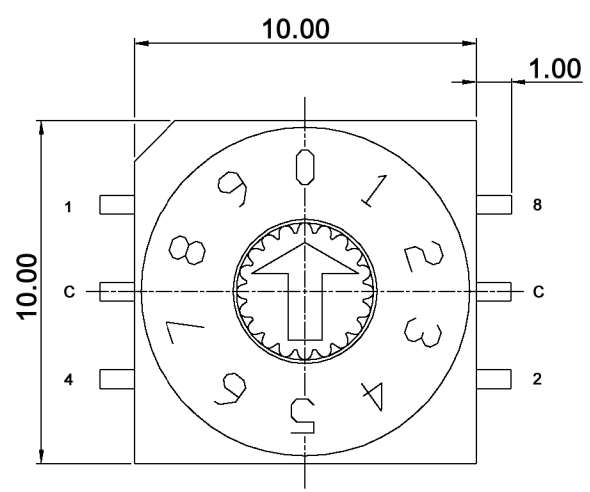
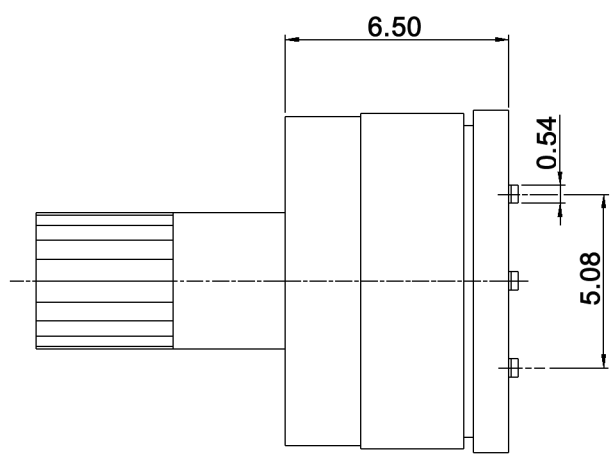
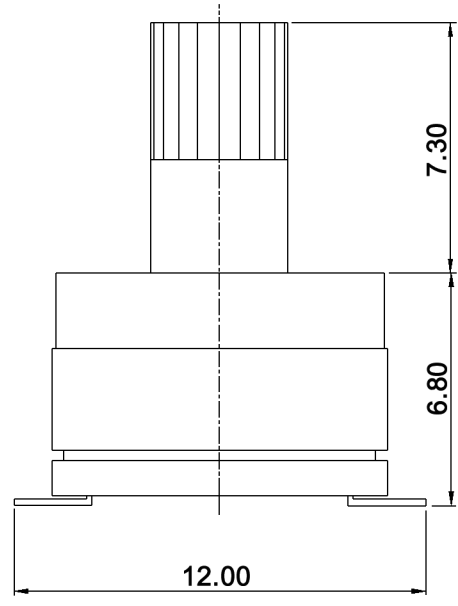


BCD inverse

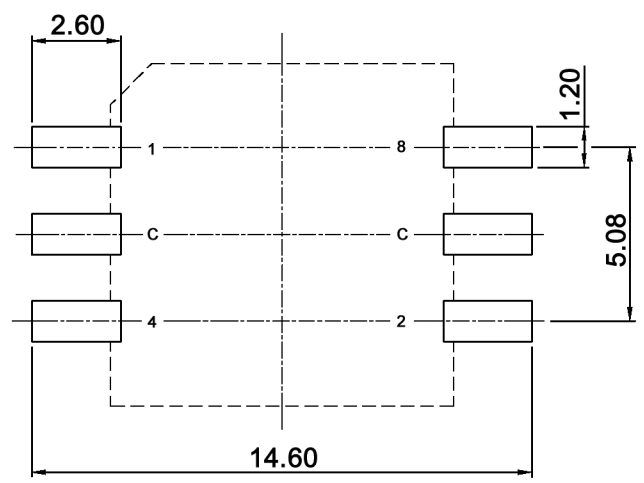
	Complement coded				
	C	1	2	4	8
0	●	●	●	●	●
1	●		●	●	●
2	●	●		●	●
3	●			●	●
4	●	●	●		●
5	●		●		●
6	●	●			●
7	●				●
8	●	●	●	●	
9	●		●	●	

10
P
o
s
i
t
i
o
n
s



coplanarity failure +/-0.05mm max.

P.C.B. DIMENSION



Compliance: RohS III (2015/863/EU)

Tolerances:	Date	Name
	07/14	dr
Material	02/21	dr
Contact rating	08/14	dr
Modifications	Date	Name

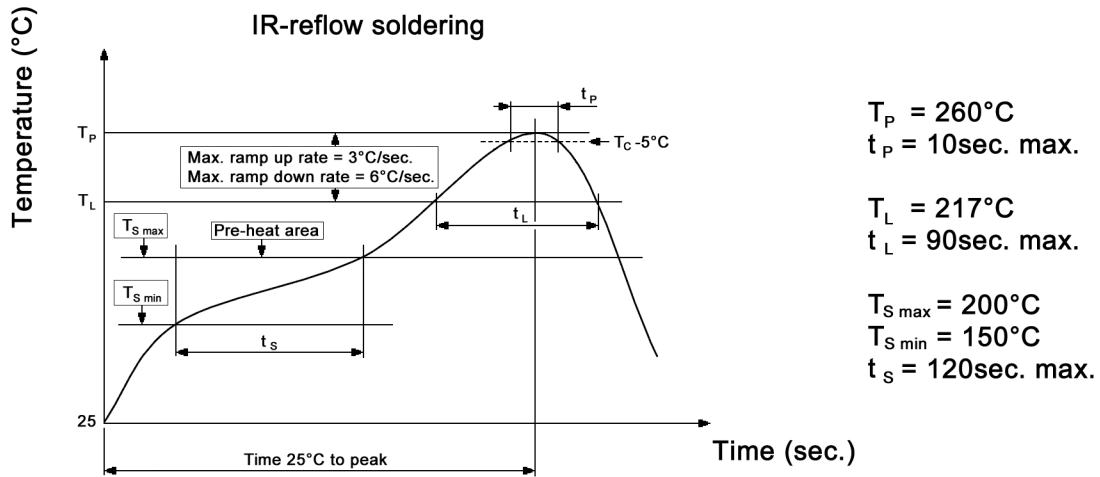
SMR 61110

30 31 52

knitter-switch

Specifications:

Contact rating: non-switching: 200mA, 42V
 switching: 150mA, 42V
Contact resistance: 80mOhm max.
Insulation resistance: 100MOhm min. at 250V DC for 1 minute +/-5sec.
Dielectric strength: 250V AC (50/60Hz) for 1 minute
Operating temperature: -60°C to +125°C
Storage temperature: -60°C to +125°C
Mechanical life: 10 000 cycles
Operating force: 700gf/cm max.
Material: Cover / base: LCP, gray
 Actuator: PA66, blue
 Contact / terminal: phosphor bronze, 0.07µ min. gold plated
 over 0.1µ min. nickel
 PCB: epoxy seal, 0.05µ min. gold plated
 O-ring: silicone, black
IP rating: IP67
Soldering conditions:



Compliance: RohS III (2015/863/EU)

Tolerances:			Date	Name	SMR 61110
			07/14	dr	
Material	02/21	dr	knitter-switch		30 31 52
Contact rating	08/14	dr			
Modifications	Date	Name			Page 2/2