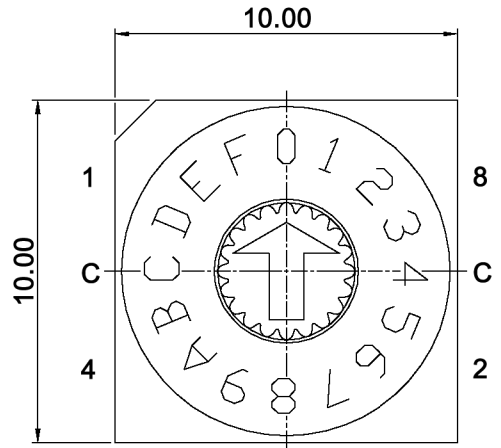
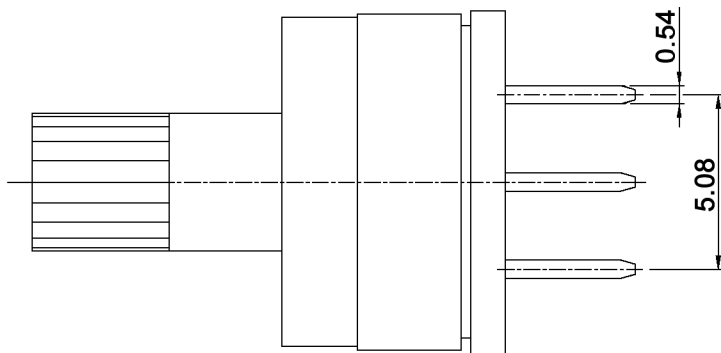
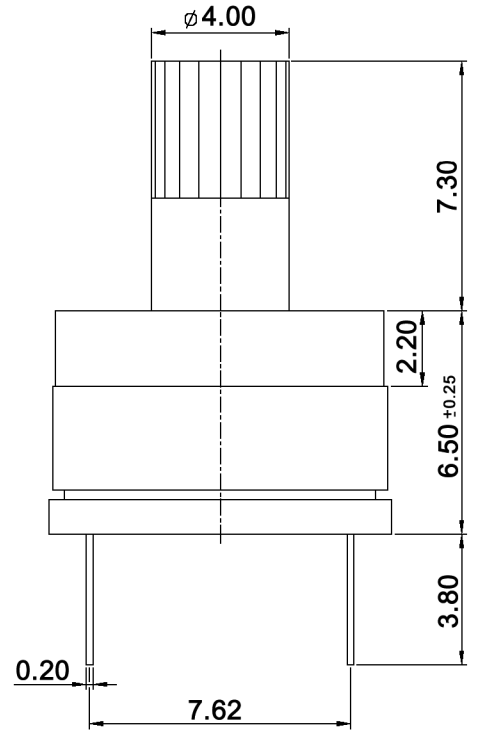
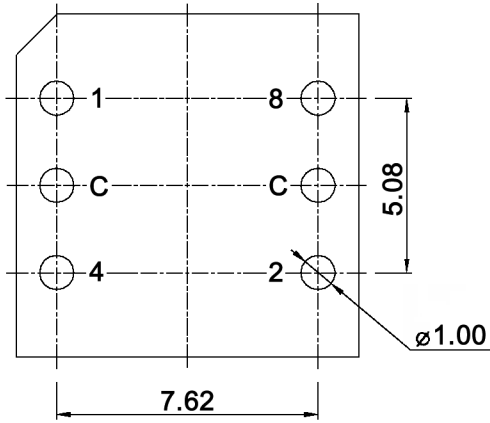


P.C.B. DIMENSION



Compliance: RohS III (2015/863/EU)

Tolerances:			Date	Name	<h1>DRS 61016</h1>
Material	02/21	dr	04/07	dr	
Soldering conditions	01/11	dr			
IP rating	07/09	dr			
Operating temperature	11/08	dr	<b>knitter-switch</b>		<h2>30 11 10</h2>
Coding scheme	02/08	dr			
Temperatures	01/08	dr			Page
Modifications	Date	Name			1/2

**Specifications:**

**Contact rating:** switching: 150mA, 42V DC  
 non-switching: 200mA, 42V DC  
**Contact resistance:** 80mOhm max.  
**Insulation resistance:** 100MOhm min.  
**Mechanical life:** 10 000 cycles  
**Operating force:** 700gf max.  
**Operating temperature:** -40°C to +85°C  
**Storage temperature:** -40°C to +85°C  
**Soldering conditions:** pre-heat: max. 120°C, max. 70sec.  
 wave soldering: max. 260°C, max. 10sec.  
**IP rating:** IP67  
**Material:** Cover: PA66, white  
 O-ring: silicone, black  
 Actuator: POM, gray  
 PCB: epoxy  
 Base: PA66, black  
 Terminal / contact: phosphor bronze, min. 0.07µm gold plated  
 over min. 0.1µm nickel

**Hexadecimal**

		Real coded				
		C	1	2	4	8
16 P o s i t i o n s	0	●				
	1	●	●			
	2	●		●		
	3	●	●	●		
	4	●			●	
	5	●	●		●	
	6	●		●	●	
	7	●	●	●	●	
	8	●				●
	9	●	●			●
	A	●		●		●
	B	●	●	●		●
	C	●			●	●
	D	●	●		●	●
	E	●		●	●	●
	F	●	●	●	●	●

Compliance: RohS III (2015/863/EU)

Tolerances:			Date	Name	<b>DRS 61016</b>
			04/07	dr	
Material	02/21	dr			
Soldering conditions	01/11	dr			
IP rating	07/09	dr			<b>30 11 10</b>
Operating temperature	11/08	dr	<b>knitter-switch</b>		
Coding scheme	02/08	dr			
Temperatures	01/08	dr	<b>30 11 10</b>		Page
Modifications	Date	Name			