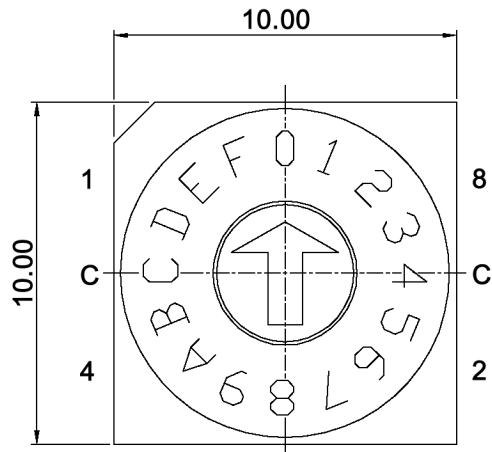
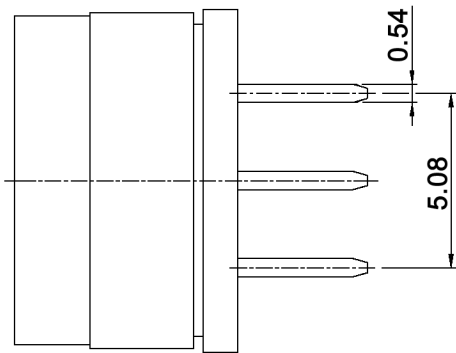
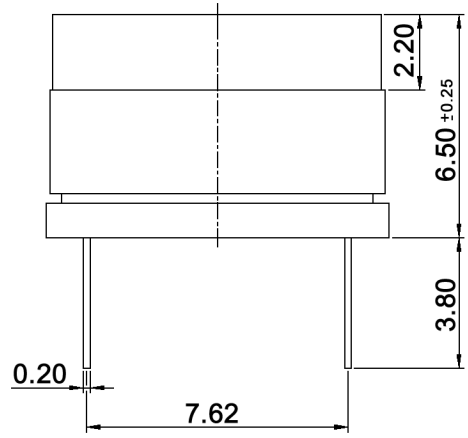
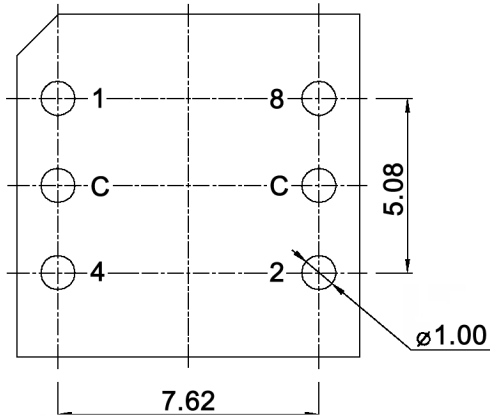


P.C.B. DIMENSION



Specifications:

Contact rating: switching: 150mA, 42V DC
 non-switching: 200mA, 42V DC
Contact resistance: 80mOhm max.
Insulation resistance: 100MOhm min.
Mechanical life: 10 000 cycles
Operating force: 700gf max.
Operating temperature: -40°C to +85°C
Storage temperature: -40°C to +85°C
Soldering conditions: pre-heat: max. 120°C, max. 70sec.
 wave soldering: max. 260°C, max. 10sec.
IP rating: IP67
Material: Cover: PA66, white
 O-ring: silicone, black
 Actuator: POM, ivory
 PCB: epoxy
 Base: PA66, black

Terminal / contact: phosphor bronze, min. 0.07µm gold plated over min. 0.1µm nickel

Hexadecimal inverse

	Complement coded			
	C	1	2	4 8
0	●	●	●	●
1	●	●	●	●
2	●	●	●	●
3	●	●	●	●
4	●	●	●	●
5	●	●	●	●
6	●	●	●	●
7	●	●	●	●
8	●	●	●	●
9	●	●	●	●
A	●	●	●	●
B	●	●	●	●
C	●	●	●	●
D	●	●	●	●
E	●	●	●	●
F	●	●	●	●

Compliance: RohS III (2015/863/EU)

Tolerances:	Date	Name	<h1>DRS 60116</h1>
	02/08	dr	
Material	02/21	dr	<h1>30 13 85</h1>
Soldering conditions	01/11	dr	
IP rating	07/09	dr	
Operating temperature	11/08	dr	
Modifications	Date	Name	knitter-switch
			Page 1/1