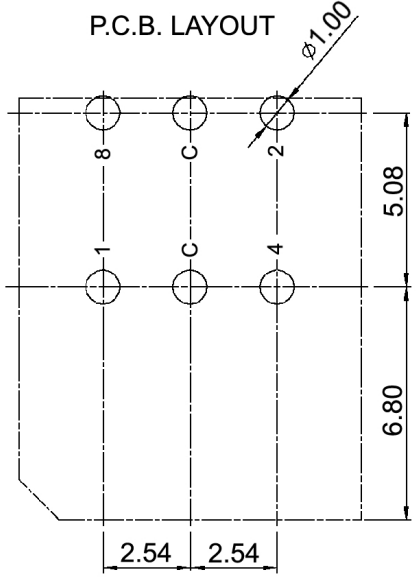


P.C.B. LAYOUT



Compliance: RohS III (2015/863/EU)

Tolerances: ≤ 10mm:		Date	Name
≥ 10mm:		08/07	dr
Material	02/21	dr	
Soldering conditions	01/11	dr	
IP rating	06/09	dr	
Operating temperature	11/08	dr	
Temperatures	01/08	dr	
Modifications	Date	Name	

DRR 60016

knitter-switch

30 11 92

Page
1/2

Specifications:

Contact rating: switching: 150mA, 42V DC
 non-switching: 200mA, 42V DC
 Contact resistance: 80mOhm max.
 Insulation resistance: 100MOhm min.
 Mechanical life: 10 000 cycles
 Operating force: 700gf max.
 Operating temperature: -40°C to +85°C
 Storage temperature: -40°C to +85°C
 Soldering conditions: pre-heat: max. 120°C, max. 70sec.
 wave soldering: max. 260°C, max. 10sec.
 IP rating: IP67
 Material: Cover: PA66, white
 O-ring: silicone, black
 Actuator: POM, gray
 PCB: epoxy
 Base: PA66, black
 Terminal / contact: phosphor bronze, min. 0.07µm gold plated
 over min. 0.1µm nickel

Hexadecimal

		Real coded				
		C	1	2	4	8
16 P o s i t i o n s	0	●				
	1	●	●			
	2	●		●		
	3	●	●	●		
	4	●			●	
	5	●	●		●	
	6	●		●	●	
	7	●	●	●	●	
	8	●				●
	9	●	●			●
	A	●		●		●
	B	●	●	●		●
	C	●			●	●
	D	●	●		●	●
	E	●		●	●	●
	F	●	●	●	●	●

Compliance: RohS III (2015/863/EU)

Tolerances: ≤ 10mm:		Date	Name	DRR 60016
≥ 10mm:		08/07	dr	
Material	02/21	dr		<div style="display: flex; justify-content: space-between; align-items: center;"> <div style="font-weight: bold; font-size: 1.2em;">knitter-switch</div> <div style="font-size: 2em; font-weight: bold;">30 11 92</div> <div style="border: 1px solid black; padding: 2px;">Page 2/2</div> </div>
Soldering conditions	01/11	dr		
IP rating	06/09	dr		
Operating temperature	11/08	dr		
Temperatures	01/08	dr		
Modifications	Date	Name		