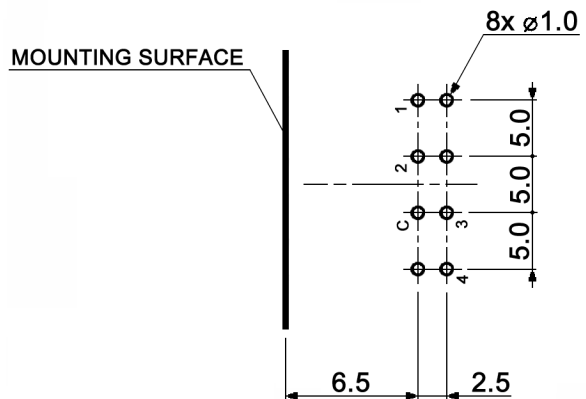


**CIRCUIT CHARACTERISTIC**

		16 Positions															
		1	2	3	4	5	6	7	8	9	10	11	12	13	14	15	16
R e a d e r c o d e	1		•		•		•		•		•		•		•		•
	2			•	•			•	•			•	•			•	•
	3					•	•	•									
	4										•	•	•	•	•	•	•
	5																
	6																

**P.C. MOUNTING**



**Specifications:**

- Contact rating: 300mA, 16V DC
- Contact resistance: 50mOhm max.
- Insulation resistance: 100MOhm min. at 500V DC
- Dielectric strength: 250V, 50Hz for the duration of 1 minute
- Operating temperature: -20°C to +80°C
- Mechanical life: min. 10 000 cycles
- Soldering conditions: auto-soldering: max.: 230 +/-5°C, 3sec.
- Switching angle: 22.5°
- Mounting: on pc-board
- Material: Case: PBT with glass fibre 30%; shaft: aluminium  
Contacts: combination of silver and gold plated



Tolerances: under to 10: ±0.3mm over 10 to 100: ±0.5mm	Date	Name
	03/09	dr
Modifications	Date	Name

**DRS 20-116-R20-1**

**knitter-switch**

**30 17 52**

Page

1/1