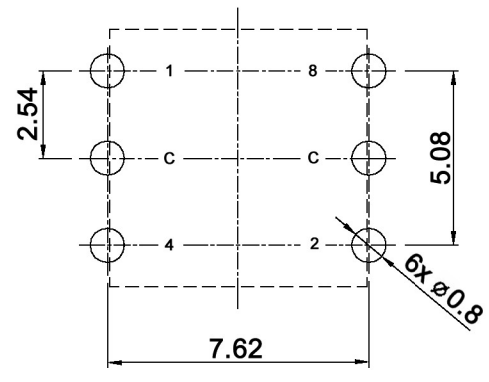


**P.C.B. DIMENSION**



**BCD inverse**

		Complement coded				
		C	1	2	4	8
10 P o s i t i o n s	0	●	●	●	●	●
	1	●		●	●	●
	2	●	●		●	●
	3	●			●	●
	4	●	●	●		●
	5	●		●		●
	6	●	●			●
	7	●				●
	8	●	●	●	●	
	9	●		●	●	

**Specifications:**

- Contact rating:** non-switching: 400mA, 42V  
switching: 100mA, 42V
- Contact resistance:** 80mOhm max.
- Insulation resistance:** 100MOhm min. at 250V DC for 1 minute +/-5sec.
- Dielectric strength:** 250V DC (50Hz/60Hz) for 1 minute
- Operating temperature:** -50°C to +125°C
- Storage temperature:** -55°C to +135°C
- Mechanical life:** 25 000 cycles
- Operating force:** 2.5 Ncm max.
- Soldering conditions:** auto-soldering: max.: 260 +/-5°C, 5 +/-1sec.
- Packaging unit:** 70 pcs / tube
- Material:** Cover / spring plate / guide plate: stainless steel  
Contact / terminal: phosphor bronze, min. 0.07µm gold plated  
over min. 0.3µm nickel  
Rotor / base: PA66  
O-ring: silicone  
Actuator color: orange
- Protection:** IP67
- Compliance:** RohS III (2015/863/EU)

Tolerances: DIN ISO-2768-1m 0.5-6: ±0.1 mm 6-30: ±0.2 mm	Date	Name
	10/08	dr
Torque	05/24	dr
Packaging unit	09/12	dr
Modifications	Date	Name

**DRS 15110**

**30 16 25**

**knitter-switch**