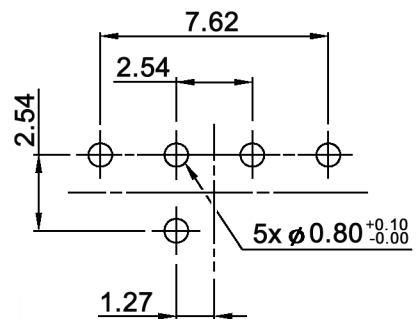


TYPE	CIRCUIT CHARACTERISTIC									
	CODE	POSITION								
DRR 4010		1	●		●		●		●	
	2		●	●			●	●		
	4				●	●	●	●		
	8									●

P.C.B. LAYOUT

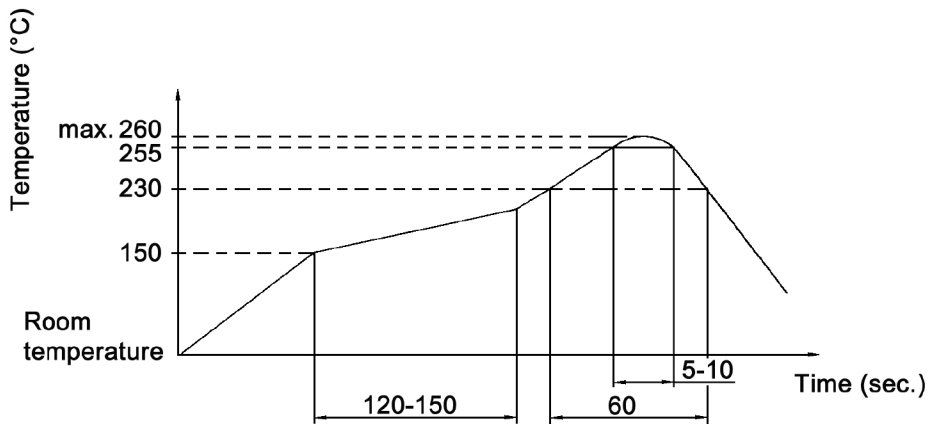


Compliance: RohS II (2011/65/EU)

Tolerances: ±0.20mm		Date	Name	<h1>DRR 4010</h1>
		12/07	dr	
Dimensions	02/09	dr	<b>knitter-switch</b>	<h2>30 13 16</h2>
Specifications	02/09	dr		
Dimensions	07/08	dr		
Operating temperature	04/08	dr		
Modifications	Date	Name		Page 1/2

**Specifications:**

**Contact rating:** non-switching: 100mA, 50V DC  
switching: 30mA, 15V DC  
**Contact resistance:** 100mOhm max.  
**Insulation resistance:** 1 000MOhm min. at 250V DC  
**Dielectric strength:** 250V AC for 1 minute  
**Operating temperature:** -40°C to +85°C  
**Mechanical life:** 20 000 cycles min.  
**Operating force:** 250 gf.cm max.  
**Material:** Base / cover: high-temp. thermoplastic nylon UL94V-0,  
molded black  
Movable contact: alloy copper, gold plated  
Actuator: high-temp. thermoplastic nylon UL94V-0,  
color: yellow  
O-ring: silicone  
Spring: stainless steel  
Terminal: brass, gold plated  
**Soldering conditions:** wave soldering: 260°C, 5sec. max.  
through hole reflow: 260 +/-5°C, 4-6sec.



Compliance: RohS II (2011/65/EU)

Tolerances: ±0.20mm	Date	Name	<h1>DRR 4010</h1>
	02/09	dr	
			<h2>30 13 16</h2>
			Page
			2/2
Modifications	Date	Name	