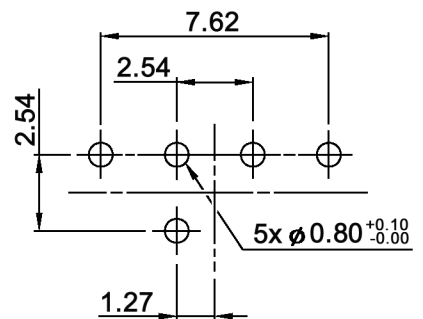


P.C.B. LAYOUT



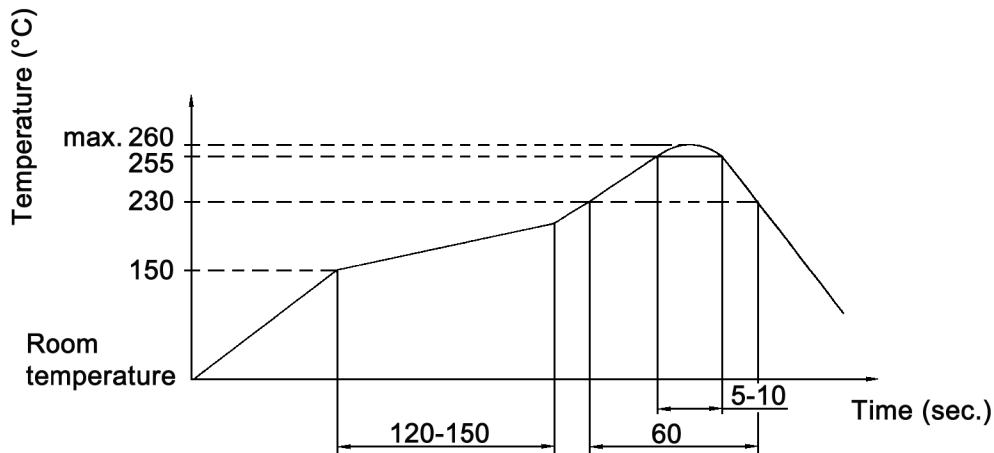
CIRCUIT CHARACTERISTIC		POSITION ● ON															
CODE		0	1	2	3	4	5	6	7	8	9	A	B	C	D	E	F
1		●		●		●		●		●		●		●		●	
2		●	●			●	●			●	●			●	●		
4		●	●	●	●					●	●	●	●				
8		●	●	●	●	●	●	●	●								

Compliance: RohS II (2011/65/EU)

Tolerances: ±0.20mm max.		Date	Name	<h1>DRR 3116</h1>
		12/07	dr	
Delivery position	11/11	dr		<h1>30 13 15</h1>
Specifications	02/09	dr		
Dimensions	02/09	dr	knitter-switch	
Operating temperature	04/08	dr		
Modifications	Date	Name		

Specifications:

Contact rating: non-switching: 100mA, 50V DC
 switching: 30mA, 15V DC
Contact resistance: 100mOhm max.
Insulation resistance: 1 000MOhm min. at 250V DC
Dielectric strength: 250V AC for 1 minute
Operating temperature: -40°C to +85°C
Mechanical life: 20 000 cycles min.
Operating force: 250 gf.cm max.
Material: Base / cover: high-temp. thermoplastic nylon UL94V-0, molded black
 Movable contact: alloy copper, gold plated
 Actuator: high-temp. thermoplastic nylon UL94V-0, color: red
 O-ring: silicone
 Spring: stainless steel
 Terminals / contacts: brass, gold plated
Soldering conditions: wave soldering: 260°C, 5sec. max.
 through hole reflow: 260 +/-5°C, 4-6sec.



Compliance: RohS II (2011/65/EU)

Tolerances: ±0.20mm max.		Date	Name	DRR 3116
		02/09	dr	
Delivery position	11/11	dr		30 13 15
Specifications	02/09	dr	knitter-switch	
Dimensions	02/09	dr		
Operating temperature	04/08	dr		Page
Modifications	Date	Name		2/2