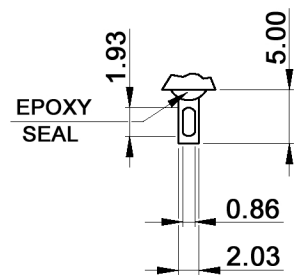
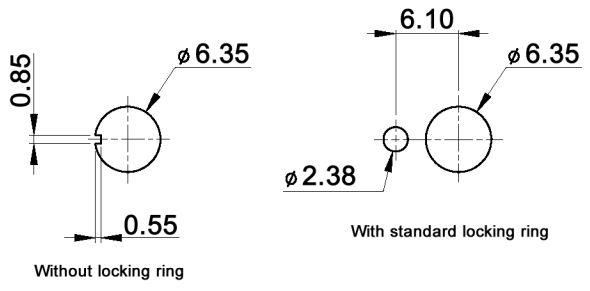


SOLDER LUG



PANEL MOUNTING



SWITCH FUNCTION

Model No.	POS. 1	POS. 2
MPM 1 F	ON	MOM
Term. Comm.	1-3	1-2

Compliance: RohS II (2011/65/EU)

Tolerances: 0.00: ±0.25mm 0.0: ±0.40mm			Date 04/09	Name dr	<h1>MPM 1 Fx</h1>
			knitter-switch		<h2>30 08 71</h2>
Accessory	10/18	dr			Page 1/2
Modifications	Date	Name			

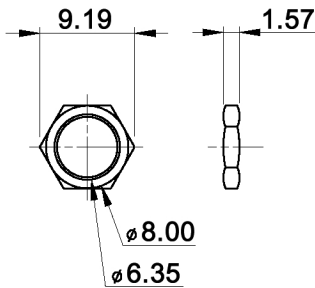
Specifications:

Contact resistance: 20mOhm max. at 2-4V DC
Insulation resistance: 1 000MOhm min.
Dielectric strength: 1 000V RMS
Operating temperature: -30°C to +85°C
Mechanical life: 50 000 make-and-break cycles
Material: Case: diallyl phthalate (DAP) (UL94V-0)
 Plunger: glass filled nylon
 Bushing: brass, nickel plated
 Housing: stainless steel

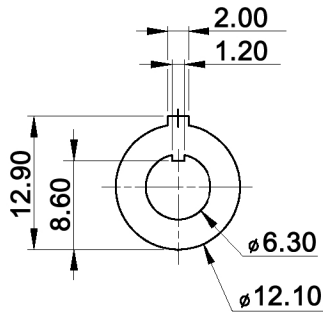
x	Contact / terminal plated	Rating
empty	silver over nickel	1A/250VAC; 3A/120VAC or 28VDC
B	gold over nickel	0.4VA max., 20VDC or AC max.
G	gold over silver	1A/250VAC; 3A/120VAC or 28VDC

HARDWARE:

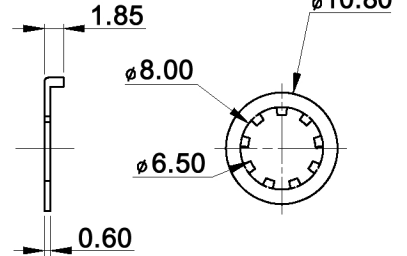
Nut: 2 pcs.



Locking ring: 1 pc.



Tooth washer: 1 pc.



Compliance: RohS II (2011/65/EU)

Tolerances: 0.00: ±0.25mm 0.0: ±0.40mm	Date	Name	<h1>MPM 1 Fx</h1>
	04/09	dr	
			<h2>30 08 71</h2>
Accessory	10/18	dr	knitter-switch
Modifications	Date	Name	

Page

2/2