



# Miniature Pushbutton Switches

## Specifications:

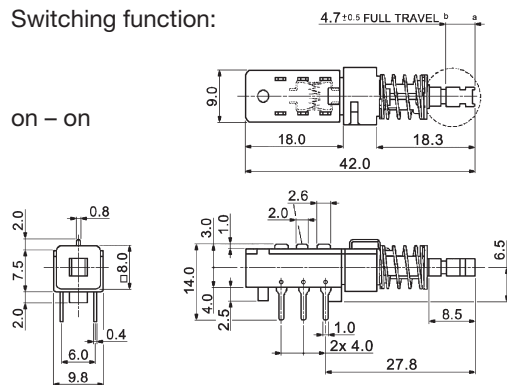
Contact resistance:	< 10 mΩ
Insulation resistance:	> 100 MΩ
Dielectric strength:	500 V, 50 Hz for the duration of 1 minute
Operating temperature:	-10 °C to +60 °C
Operating force:	3 N ± 1 N
Mechanical life:	minimum 30 000 operations
Material:	Contacts: Phosphor-Bronze, silver-plated Terminals: Brass, silver-plated Case: ABS Actuator: POM
Mounting:	on pc-board
Timing:	non-shorting
Travel:	4.7 mm, locking travel: 3.0 mm
Soldering conditions:	wave-soldering – max. 5 s, 260 °C

## Models:

Switching function:

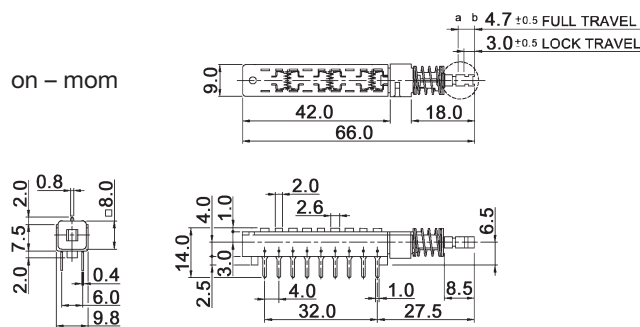
MPBS 22H01L-F14

on – on



MPBS 62H01-F14

on – mom



## Ordering Code:

MPBS - □ 2H01 □ - F14

### Poles:

- 2 poles
- 4 poles
- 6 poles

### Switching mode:

- on – mom
- on – on