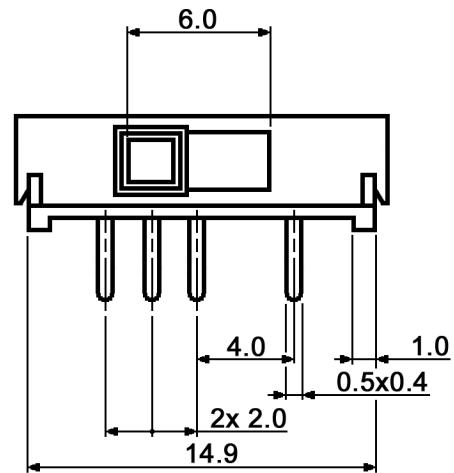
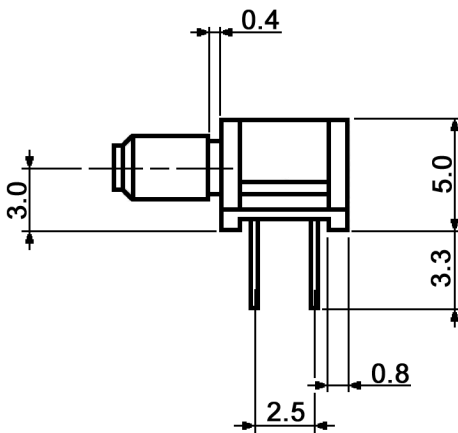
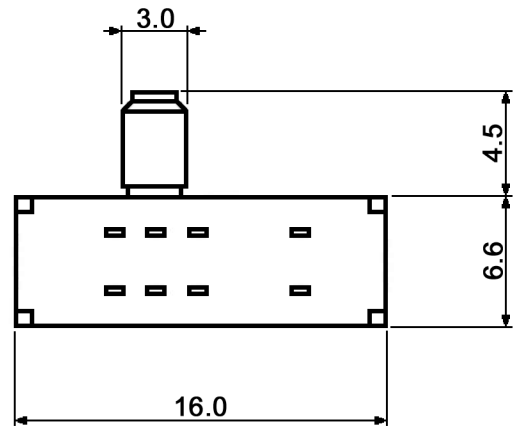
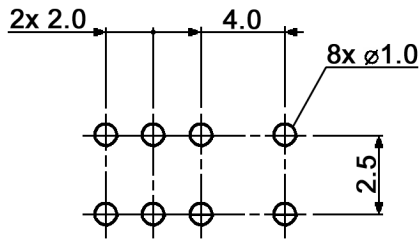
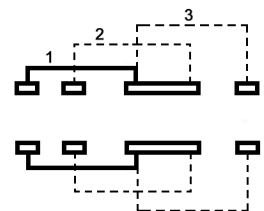


P.C. LAYOUT



CIRCUIT DIAGRAM



Specifications:

- Contact rating: 0.3A, 30V DC
- Contact resistance: 20mOhm max.
- Insulation resistance: 100MOhm min. at 500V DC
- Dielectric strength: 500V AC (50/60Hz) for 1 minute
- Operating temperature: -20°C to +85°C
- Mechanical life: 10 000 cycles
- Operating force: 1-2 3-2: 200 +/-100gf
2-3 2-1: 300 +/-100gf
- Soldering conditions: max. 260°C, max. 3sec.
- Timing: shorting
- Compliance: RohS II (2011/65/EU)

Tolerances:	up to 10: ±0.3mm	Date	Name
	over 10 to 100: ±0.5mm	02/16	dr

MFP 263 P-RA

30 35 43

Page

1/1

knitter-switch

Contact rating	03/16	dr
Modifications	Date	Name