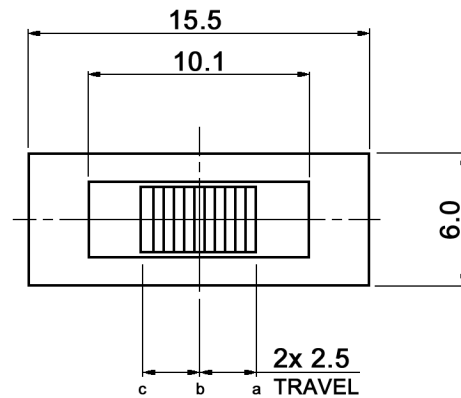
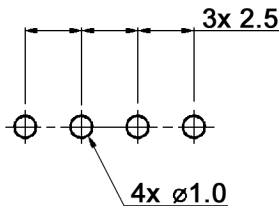


x	L
(empty)	4 mm
7	7 mm
9	9 mm

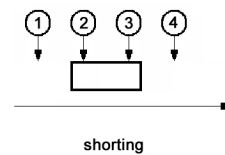
HOLE LAYOUT  $\pm 0.05$



**Specifications:**

- Contact rating: 0.3A, 30V DC
- Contact resistance: 20mOhm max.
- Insulation resistance: 100MOhm min. at 500V DC
- Dielectric strength: 500V AC (50/60Hz) for 1 minute
- Operating temperature: -10°C to +60°C
- Storage temperature: -40°C to +85°C
- Mechanical life: 10 000 cycles
- Operating force: a-b c-b: 200 +/-100gf  
b-a b-c: 300 +/-150gf
- Soldering conditions: iron method: 350 +/-10°C, 3 +/-1sec.
- Material: Terminal: brass strip, silver plated  
Base: phenolic resin, natural  
Contact clip: C5210R-EH, silver plated  
Steel ball: carbon steel, natural  
Spring: SWC, temper  
Frame: SPCC, nickel plated  
Slider: POM, black

**CIRCUIT DIAGRAM  
BOTTOM VIEW**



Compliance: RohS III (2015/863/EU)

Tolerances: up to 10: ±0.2mm above 10-50: ±0.3mm	Date	Name
	07/15	dr
Storage temperature	11/19	dr
Modifications	Date	Name

**MFP 1320 x**

**30 33 67**

**knitter-switch**

Page

1/1