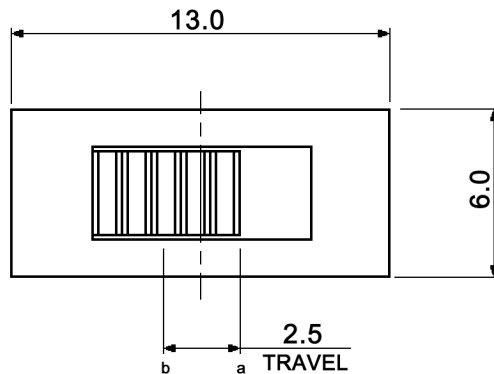
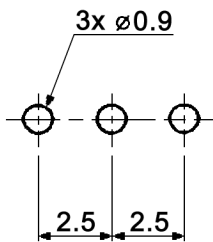


HOLE LAYOUT  $\pm 0.05$

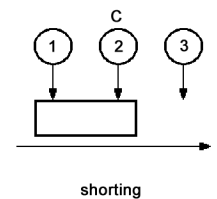


Specifications:

- Contact rating: 0.3A, 30V DC
- Contact resistance: 20mOhm max.
- Insulation resistance: 100MOhm min. at 500V DC for 1 minute
- Dielectric strength: 500V AC (50/60Hz, 2mA) for 1 minute
- Operating temperature: -10°C to +60°C
- Storage temperature: -40°C to +85°C
- Mechanical life: 10 000 cycles
- Operating force: 200 +/-100gf
- Soldering conditions: 260 +/-5°C, 5 +/-1 sec.
- Material: Terminal: brass strip, silver plated  
Contact clip: phosphor bronze, silver plated  
Steel ball: carbon steel, natural  
Spring: SWC, temper  
Base: phenolic resin, natural  
Frame: steel, nickel plated  
Slider: POM, black

CIRCUIT DIAGRAM

C: COMMON PIN  
BOTTOM VIEW



Compliance: RohS III (2015/863/EU)

Tolerances: up to 10: ±0.2mm above 10-50: ±0.3mm		Date	Name	<h1>MFP 1220</h1>
		09/10	dr	
			<b>knitter-switch</b>	<h2>30 21 75</h2>
Storage temperature	11/19	dr		
Modifications	Date	Name		Page 1/1