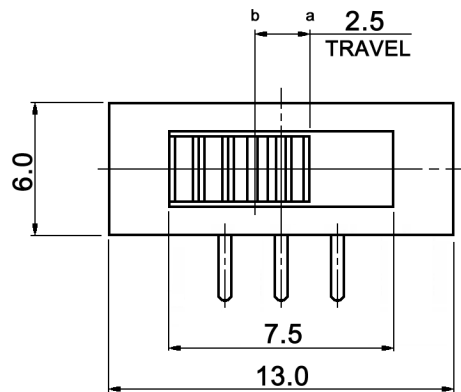
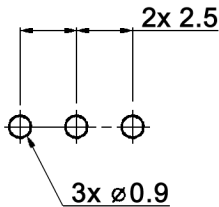


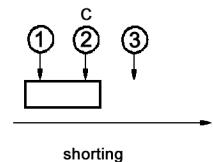
HOLE LAYOUT $\varnothing 0.05$



Specifications:

- Contact rating: 0.3A, 30V DC
- Contact resistance: 20mOhm max.
- Insulation resistance: 100MOhm min. at 500V DC for 1 minute
- Dielectric strength: 500V AC (50/60 Hz, 2mA) for 1 minute
- Operating temperature: -10°C to +60°C
- Storage temperature: -40°C to +85°C
- Mechanical life: 10 000 cycles
- Operating force: 200 +/-100gf
- Soldering conditions: 260 +/-5°C, 5 +/-1sec.
- Material: Terminal: brass strip, silver plated
Base: phenolic resin, natural
Contact clip: C5210R-EH, silver plated
Steel ball: carbon steel, natural
Spring: SWC, temper
Frame: SPCC, nickel plated
Slider: POM, black

CIRCUIT DIAGRAM
C: COMMON PIN
BOTTOM VIEW



Compliance: RohS III (2015/863/EU)

Tolerances: up to 10: ±0.2mm above 10-50: ±0.3mm	Date	Name
	04/18	dr
Storage temperature	11/19	dr
Modifications	Date	Name

MFP 1220 R

knitter-switch

30 40 56

Page

1/1