

Miniature Slide Switches



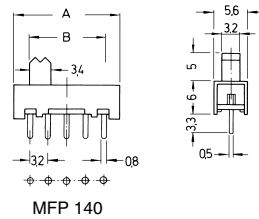
Specifications:

Contact rating:	30 V DC, 350 mA
Contact resistance:	< 20 mΩ
Insulation resistance:	> 100 MΩ at 500 V DC
Dielectric strength:	500 V, 50 Hz for the duration of 1 minute
Operating temperature:	- 10 °C to + 85 °C
Mechanical life:	minimum 10 000 operations
Contacts:	copper alloy, silver-plated over nickel barrier
Contact timing:	non-shorting
Slide colour:	black, further colours on request
Soldering conditions:	wave-soldering – max.: 3 sec, 260 °C ± 5 °C

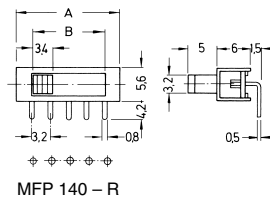
6

Models:	Operating positions	Length (mm)	
		A	B

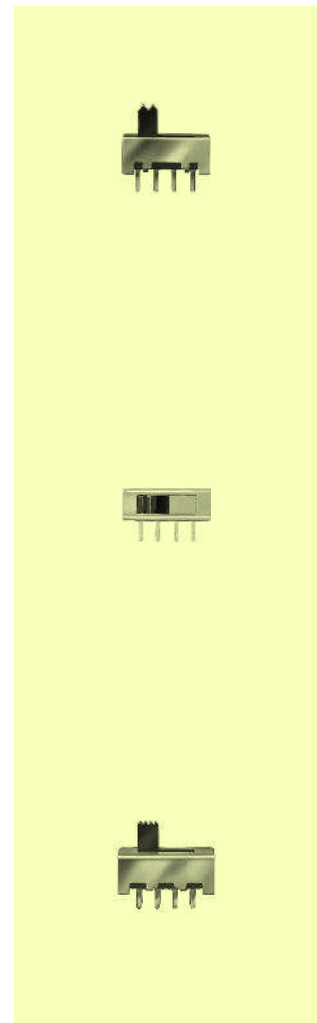
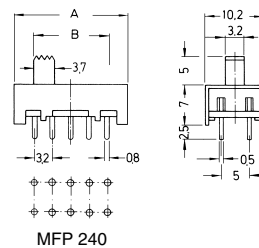
MFP 120	2		11.0	6.7
MFP 130	3		15.0	10.0
MFP 140	4		18.2	13.2
MFP 150	5		21.4	16.4



MFP 120 – R	2		11.0	6.7
MFP 130 – R	3		15.0	10.0
MFP 140 – R	4		18.2	13.2



MFP 220	2		13.6	6.9
MFP 230	3		16.8	10.1
MFP 240	4		20.0	13.3
MFP 250	5		23.2	16.5
MFP 260	6		26.4	19.7





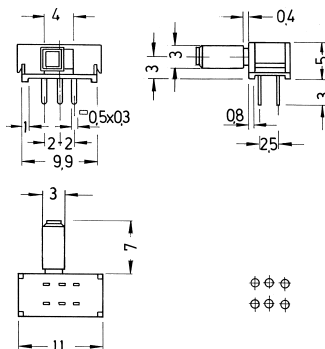
Miniature Slide Switches

Specifications: see page 94

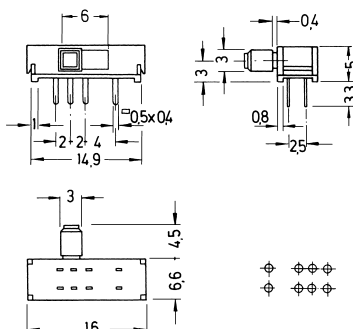
Material: plastic housing, terminals sealed

Models: Switching functions

MFP 261 N – RA on on shorting



MFP 263 P – RA on on on n.n.



MFP 661 N – RA on on non-shorting minimum order quantity on request

