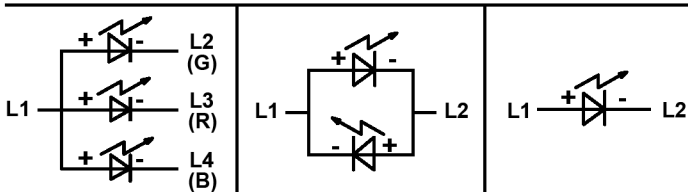
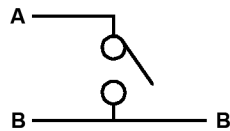


ELECTRICAL SCHEMATIC



Compliance: RohS II (2011/65/EU)

Tolerances: ± 0.2 mm	Date	Name
	04/19	dr
Modifications	Date	Name

TSSLE 6868 R xyz

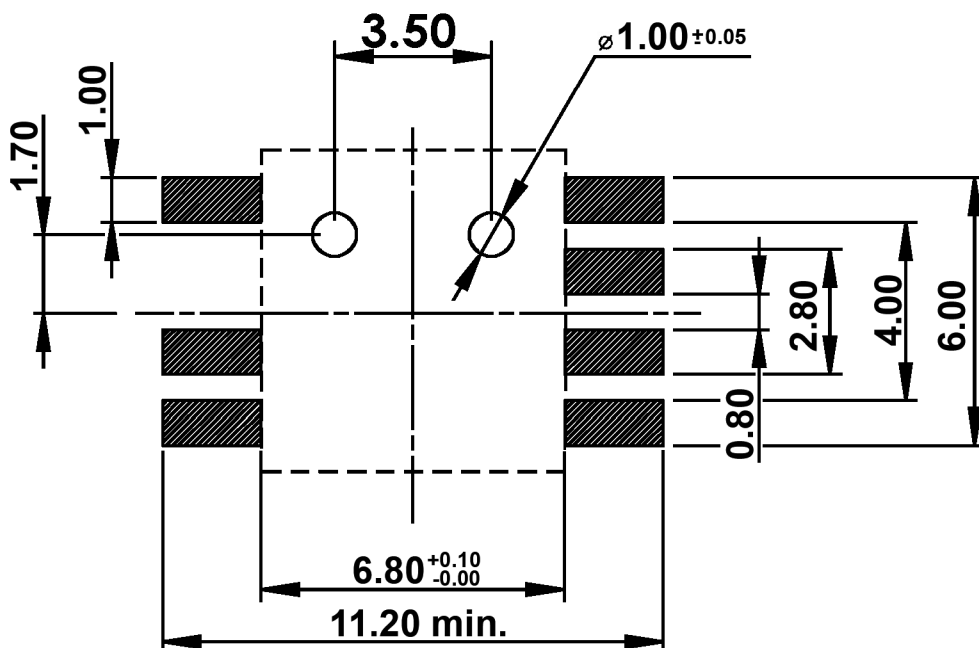
knitter-switch

30 42 32

Page

1/3

P.C.B. LAYOUT
(TOP VIEW)



x, y, z	Color
R	red
Y	yellow
G	green
B	blue
W	white
P	pure green
A	amber
N	no LED

Excepted RGB, all combinations end with one or two „N“

Example:

RGB RGB-LED

GNN one green LED

WAN a white and an amber LED

RYG not available, use RGB instead

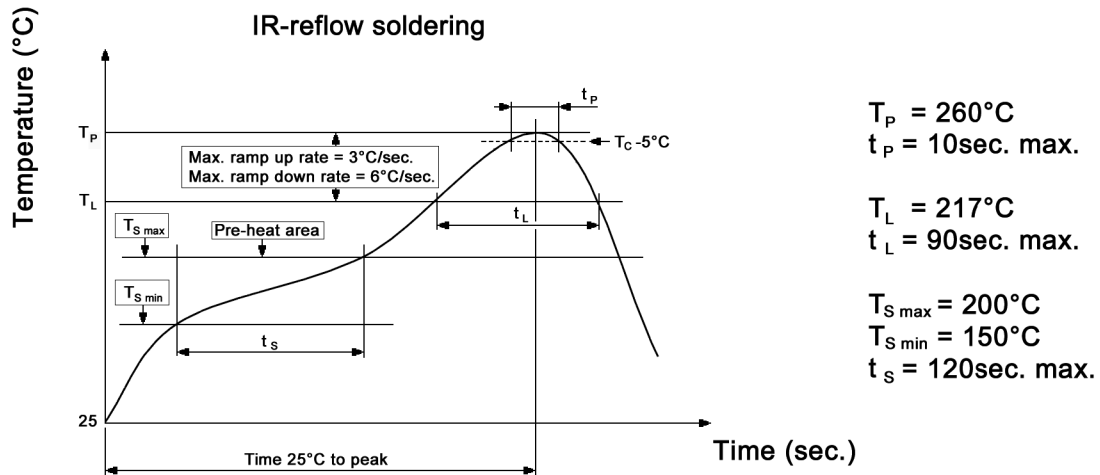
Compliance: RohS II (2011/65/EU)

Tolerances: ±0.2 mm	Date	Name	TSSLE 6868 R xyz
	04/19	dr	
	knitter-switch		30 42 32
Modifications	Date	Name	Page 2/3

Specifications:

Contact rating: 50 mA, 12 V DC
Contact resistance: 100 mOhm max.
Insulation resistance: 100 MOhm min. at 250 V DC
Dielectric strength: 250 V AC (50/60 Hz) for 1 minute
Operating temperature: -40°C to +85°C
Storage temperature: -40°C to +85°C
Mechanical life: 300 000 cycles
Electrical life: 100 000 cycles
Operating force: 200 +/-50 gf
Travel: 0.70 +/-0.20 mm
Switch function: momentary; normally open
Sealing: IP67
Material: Plunger: silicone
 Cover: nickel-silver, thk. 0.20 mm
 Contact: stainless steel, 0.5 µm silver plated
 Base: PPA, white
 Terminal: C2680, 1.5 µm silver plated

Soldering conditions:



Compliance: RohS II (2011/65/EU)

Tolerances: ±0.2 mm	Date	Name	TSSLE 6868 R xyz
	04/19	dr	
	knitter-switch		30 42 32
Modifications	Date	Name	Page 3/3