

# Illuminated Pushbutton Switches for SMT, waterproof



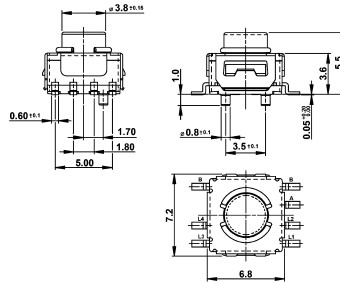
## Specifications:

Contact rating:	12 V DC, 50 mA
Contact resistance:	< 100 mΩ
Insulation resistance:	> 100 MΩ
Dielectric strength:	250V, 50 Hz for the duration of 1 minute
Operating temperature:	-40°C to +85°C
Operating force:	2 N ± 0.5 N
Mechanical life:	minimum 300 000 operations
Material:	Contacts: stainless steel, silver-plated, optionally gold-plated Terminals: Brass, silver plated, optionally gold-plated Case: PPA, white Actuator: silicone rubber
Protection:	IP 67
Mounting:	on pc-board – SMT

## Models: Switching functions

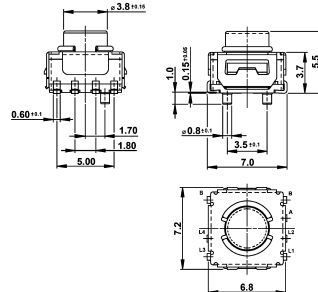
TSSLE 6868 R WNN

off – mom



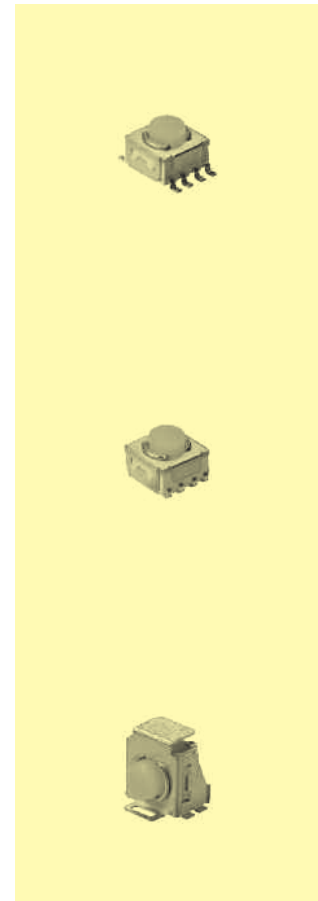
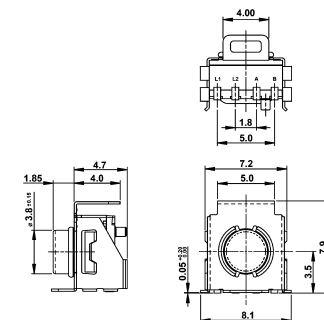
TSSLE 6868 R RGB-J

off – mom



TSSLE 6868 R RA RB

off – mom



## Ordering Code:

TSSLE 6868 R

### Contact:

- silver
- gold

### Operation:

- top
- side

### LED:

#### Operation from top

- NNN no LED
- RGB RGB
- xyN two LEDs
- xNN one LED

#### Side-Operation

- NN no LED
- xy two LEDs
- xN one LED

### Terminals:

- Gullwing
- J J-hooks (not for RA)

x, y	Color
R	red
Y	yellow
G	green
B	blue
P	pure-green
A	amber
W	white