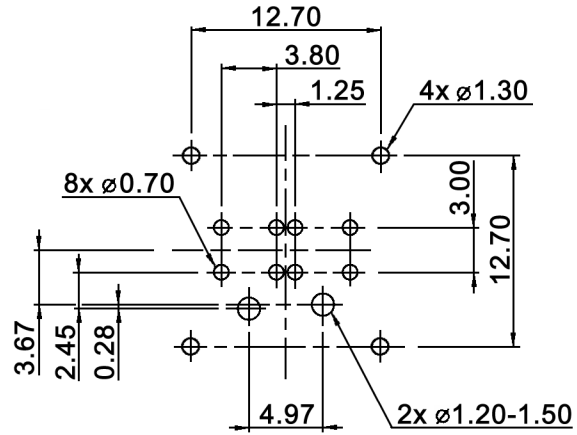
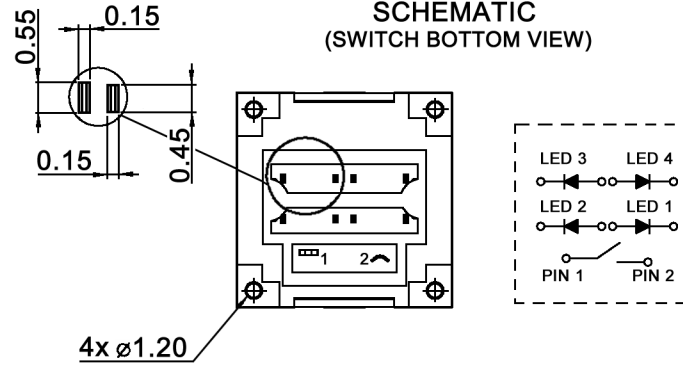


Tolerances: 0.00 to 30.00: ±0.20mm 30.01 to 80.00: ±0.25mm		Date	Name	LP 14 CG-deeee	
		06/08	dr		
Material	08/13	dr		30 15 10	
Ordering example	07/11	dr			
Revised	12/10	dr		Page	
Dimensions	10/10	dr	knitter-switch		
LED specifications	10/10	dr		1/4	
Modifications	Date	Name			

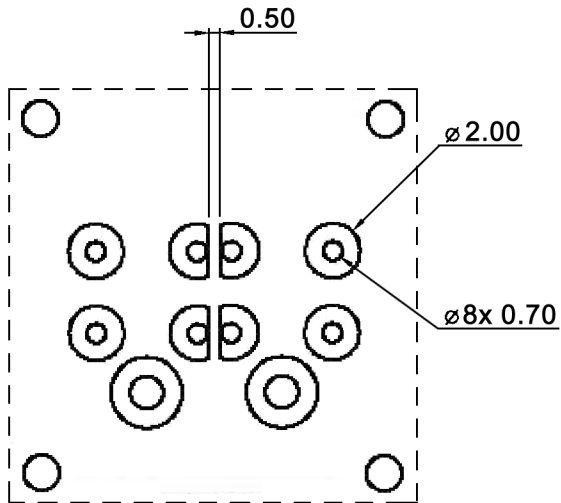
P.C.B. MOUNTING



SCHEMATIC
(SWITCH BOTTOM VIEW)



P.C.B. COPPER CLAD DESIGN



Tolerances: 0.00 to 30.00: ±0.20mm		Date	Name	<h1>LP 14 CG-deeee</h1>
30.01 to 80.00: ±0.25mm		06/08	dr	
				<h2>knitter-switch</h2>
				<h2>30 15 10</h2>
Modifications	Date	Name		Page 2/4

LED specifications:

Cap colour (d)	Code
clear	empty
red	R
orange	O
yellow	Y
green	G
blue	B
grey	K

LED colour (e)	Code
red	R
green	G
blue	B
yellow	Y
orange	O
white	W
without LED	N

Ordering example:
Switch with clear cap and 3 LEDs (RGB)
LP 14 RGBN

	Red	Green	Blue	Yellow	Orange	White
Minimum Luminous (mcd)	70	380	50	36	70	480
Standard Luminous (mcd)	150	470	130	80	180	800
Forward Peak Current (mA)	155	150	150	150	175	150
Power Dissipation (mW)	75	102.5	120	75	75	120
Forward Voltage (V), Typ. at If = 20mA	1.85	3.10	3.30	2.10	2.00	3.30
Forward Voltage (V), Max. at If = 20mA	2.50	4.10	4.00	2.50	2.50	4.00
Reverse Voltage (V)	5	5	5	5	5	5
Dominant Wavelength (nm)	640	525	470	570	590	N/A
Spread Angle (degree)	120	120	120	120	120	120

The specifications shown are at a room temperature of 25°C. LED is not available separately, it is isolated and requires an external power source.



Tolerances: 0.00 to 30.00: ±0.20mm 30.01 to 80.00: ±0.25mm		Date	Name	LP 14 CG-deeee	
		06/08	dr		
				knitter-switch	
				30 15 10	
Modifications		Date	Name	Page	
				4/4	