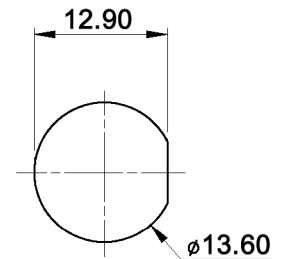
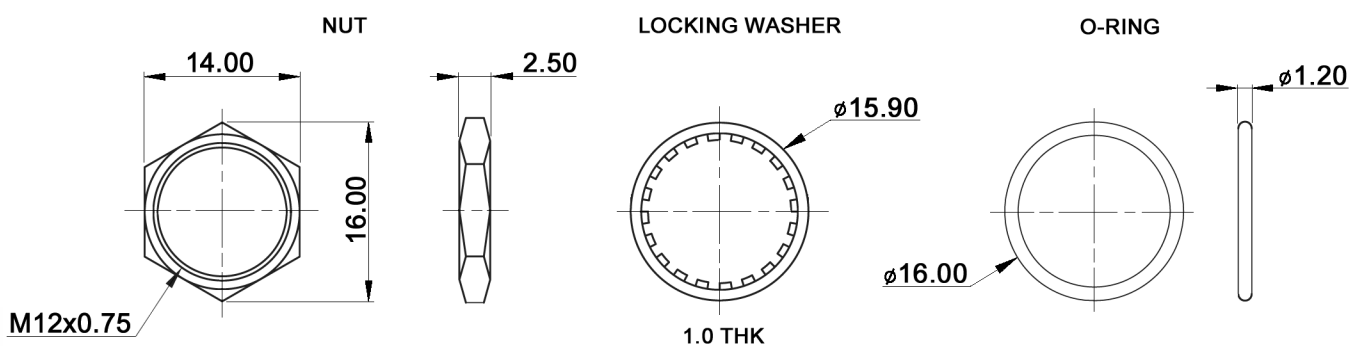


PANEL CUT-OUT



HARDWARE:



Compliance: RohS III (2015/863/EU)

Tolerances: 0.00: ±0.25mm 0.0: ±0.40mm		Date	Name	<h1>DPWL 1 AG-xy</h1>
Accessory	10/19	dr		
LED	05/17	dr		
Revised	01/14	dr		
Rating, electrical life	02/13	dr		<h2>30 17 60</h2>
LED color table	06/10	dr		
LED color table	11/09	dr		Page
Modifications	Date	Name		1/2

**knitter-switch**

**Specifications:**

**Contact rating:** max. 100mA, 24V DC - endurance 200 000 cycles  
 max. 2A, 125V AC - endurance 10 000 cycles  
**Contact resistance:** 100mOhm max.  
**Insulation resistance:** 1GOhm min. at 500V DC  
**Dielectric strength:** 1 000V AC RMS  
**Electrical life:** 200 000 cycles at full load  
**Operating force:** 4.5 - 6.5N  
**Torque:** 0.5Nm max. applied to nut  
**Soldering conditions:** 350°C max., 5sec.  
**Panel thickness:** min.: 1.5mm; max.: 4.0mm  
**Total travel:** 2.5mm  
**Switching function:** off - on  
**Contact bounce:** 10ms  
**Material:** Case / cap / bushing: polyamide 6/6  
 Terminal / contact: gold over silver plated  
**IP rating:** IP 67 (mounted)

X=CAP COLOR	
W	white
K	black
R	red
O	orange
Y	yellow
G	green
B	blue

Y=LED COLOR	
W	white
R	red
Y	yellow
G	green
B	blue

Bi-color: ordering code on request

Lens appearance	Colour	Electro-optical data (at 20mA)				Peak wavelength	Viewing angle
		Vf (V)		Iv (mcd)			
		Typ.	max.	Typ.	min.		
Water clear	super white	2.8	3.3	200.0	100.0	x=0.27 y=0.27	35°
	super red	2.0	2.5	700.0	200.0	645.0	
	yellow	2.1	2.6	100.0	55.0	589.0	
	green	2.2	2.7	130.0	70.0	565.0	
	super blue	3.1	3.6	580.0	250.0	460.0	
	super yellow	2.0	2.6	475.0	210.0	590.0	
	super green	2.0	2.6	210.0	140.0	570.0	
	super yellow	2.1	2.6	200.0	94.0	590.0	
	super blue	3.2	3.6	200.0	94.0	460.0	
	super yellow	2.1	2.6	100.0	63.0	590.0	
	super red	2.0	2.6	90.0	42.0	630.0	
	super red	2.0	2.6	90.0	42.0	630.0	
	super green	2.0	2.6	90.0	42.0	570.0	
	super red	2.0	2.6	90.0	42.0	630.0	
	super blue	3.2	3.6	200.0	94.0	460.0	
super green	2.0	2.6	100.0	42.0	570.0		
super blue	3.2	3.6	200.0	94.0	460.0		

**Compliance: RohS III (2015/863/EU)**

Tolerances: 0.00: ±0.25mm 0.0: ±0.40mm		Date	Name	<h1>DPWL 1 AG-xy</h1>
		03/09	dr	
Accessory	10/19	dr		
LED	05/17	dr		
Revised	01/14	dr		
Rating, electrical life	02/13	dr		
LED color table	06/10	dr	<b>knitter-switch</b>	<h2>30 17 60</h2>
LED color table	11/09	dr		
Modifications	Date	Name		