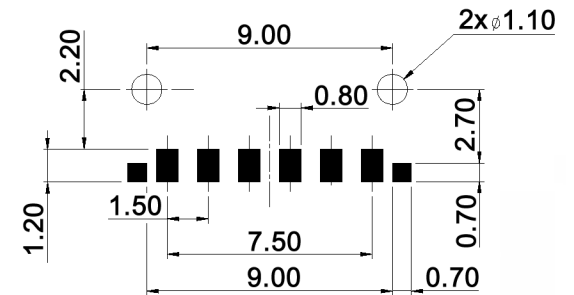


P.C.B. LAYOUT

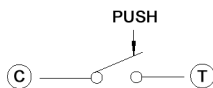


CIRCUIT DIAGRAM

ANGLE	A			B		
TERMINAL NO.	20°	(16°)	(8°)	(8°)	(16°)	20°
①	█					
②	█					
③						█
④				█	█	█
C	█					

* E: GROUND TERMINAL
 * █: ON POSITION

PUSH CIRCUIT



Tolerances: ±0.20mm			Date	Name	<h1>PLSJ 1 x</h1>
			03/09	dr	
			knitter-switch		<h1>30 02 34</h1>
Colours	03/09	dr			Page
Modifications	Date	Name			1/3

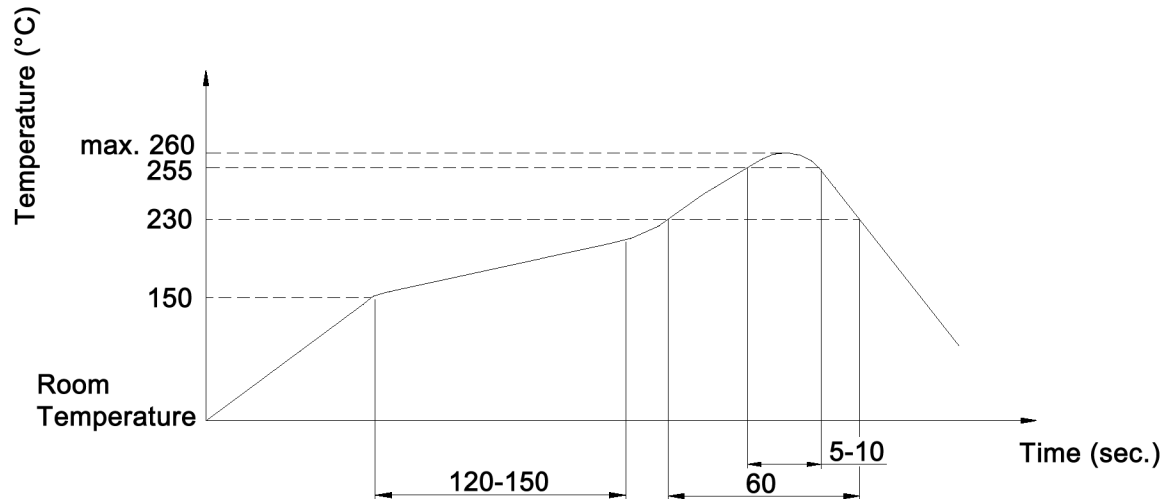
Specifications:

Contact rating: switching: 10mA, 5V DC
 non-switching: 100mA, 50V DC
Contact resistance: 100mOhm max.
Insulation resistance: 100MOhm min. at 100V DC
Dielectric strength: 100V AC for 1 minute
Operating temperature: -10°C to +70°C
Storage temperature: -25°C to +80°C
Mechanical / electrical life: 100 000 cycles
Operating force: 40 +/-20gf on return actuator
 150 +/-50gf on center push direction
Capacitance: 5pF max.
Circuit: single pole single throw

Material:

Cover: stainless steel
Base: UL94V-0 PPS thermoplastic, color: brown
Stem: UL94HB nylon thermoplastic, color: grey, (black optional)
Contact disc: phosphor bronze with silver cladding at contact surface
Terminal: phosphor bronze with silver cladding at contact surface
Spring: spring wire

Soldering conditions:

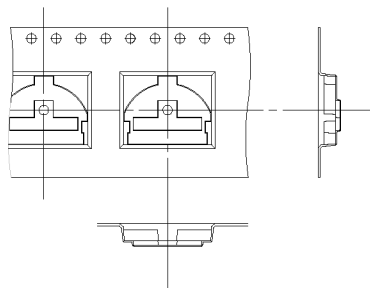
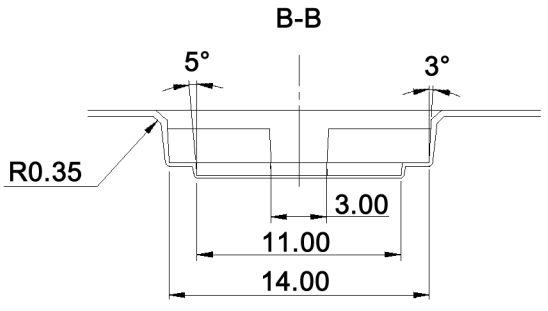
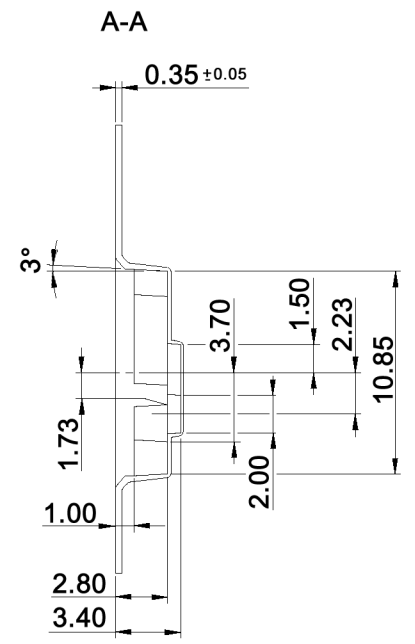
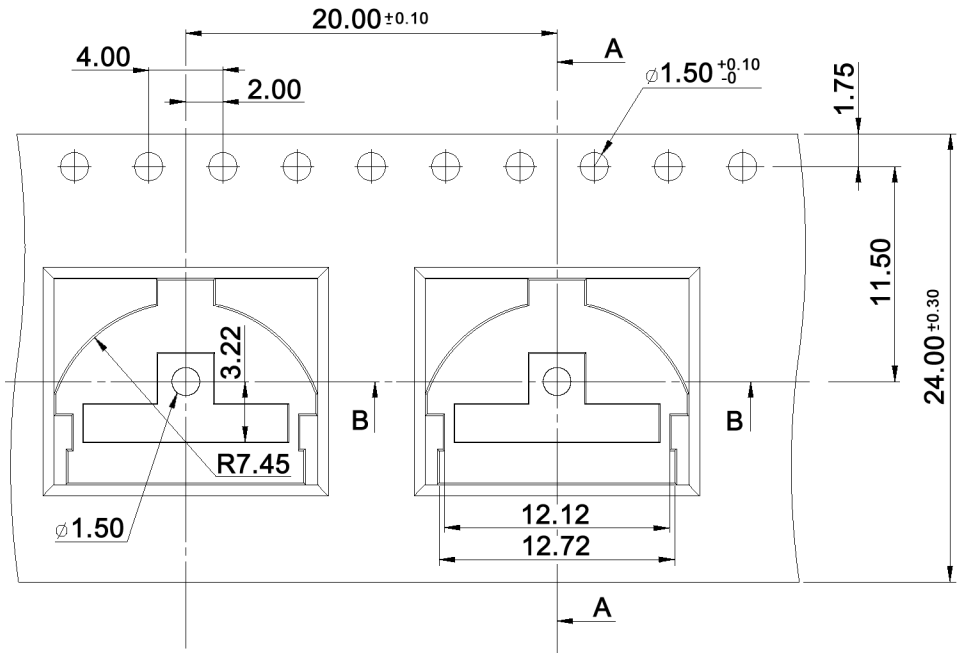


x	Color
(empty)	grey
K	black



Tolerances: ±0.20mm		Date	Name	PLSJ 1 x
		03/09	dr	
				30 02 34
			knitter-switch	
Modifications	Date	Name		Page 2/3

Packaging:



Packaging unit: 1 000 pcs. / reel



Tolerances: $\pm 0.10\text{mm}$			Date	Name
			03/09	dr
Modifications	Date	Name		

PLSJ 1 x

knitter-switch

30 02 34