

Subminiature Micro / Snap Action Switches



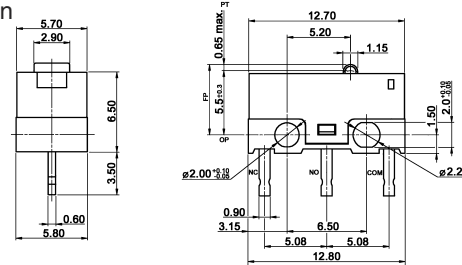
Specifications:

Contact rating:	125 V AC, 3 A
Contact resistance:	< 100 mΩ
Insulation resistance:	> 100 MΩ
Dielectric strength:	600 V, 50 Hz for the duration of 1 minute
Operating temperature:	-40 °C to +85 °C
Mechanical life:	minimum 1 000 000 operations
Contacts:	silver-alloy, gold-plating on request
Terminals:	brass, silver-plated
Case:	PBT (UL 94 V-0)
Mounting:	on pc-board, on panel
Timing:	non-shorting
Soldering conditions:	auto-soldering – max. 3 sec, max. 260 °C

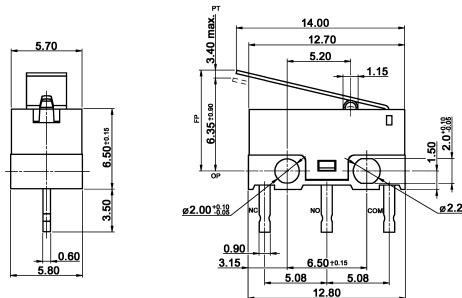
Models:

Switching function

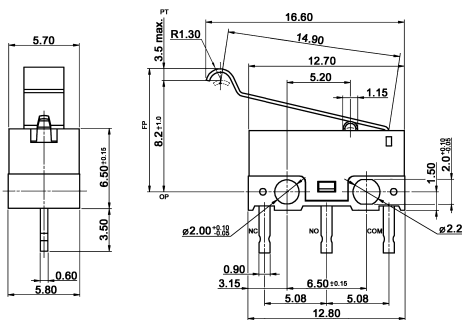
DM-DMG 3 L00P150 on – mom
(operation force 150 gf max)



DM-DMG 3 L02P150 on – mom
(operation force 50 gf max)



DM-DMG 3 L07P150 on – mom
(operation force 50 gf max)



DM-DMG 3 L03P150 on – mom
(operation force 50 gf max)

