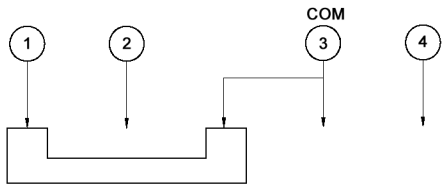
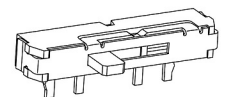
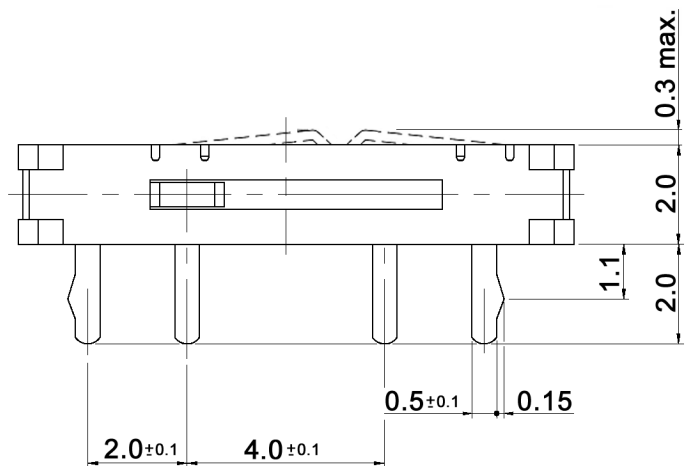
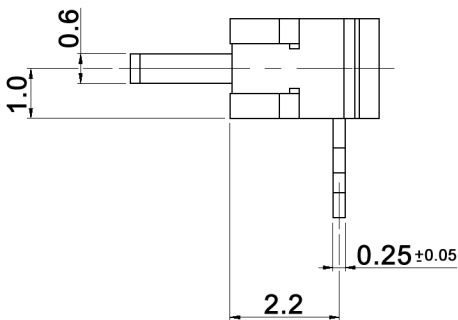
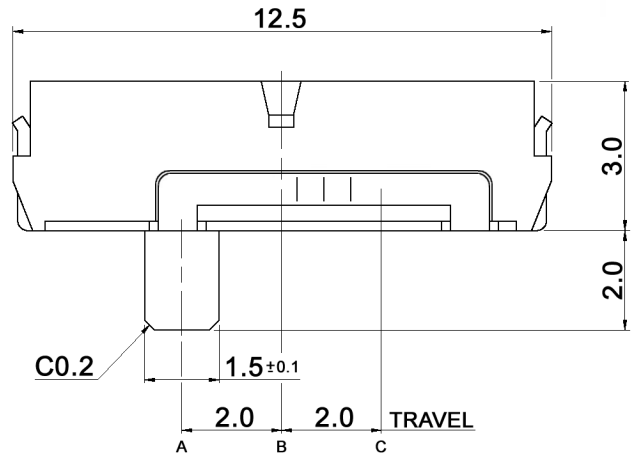
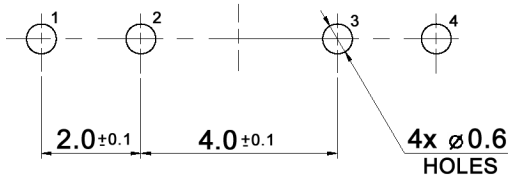


SCHEMATIC



P.C.B. LAYOUT



Specifications:

- Contact rating: 0.3A, 4V DC
- Contact resistance: 70mOhm max.
- Insulation resistance: 100MOhm min. at 500V DC for 1 minute +/-5sec.
- Dielectric strength: 500V AC (50/60Hz, 2mA) for 1 minute
- Operating temperature: -40°C to +85°C
- Mechanical life: 10 000 cycles
- Operating force: A-B C-B: 120 +/-75gf
B-A B-C: 150 +/-100gf
- Soldering conditions: pre-heat: max. 100°C, max. 60sec.
soldering: max. 260°C, max. 3-5sec.
- Material: Contact / terminal: copper alloy, silver plated
Frame: liquid crystal polymer, black
Slider: polyamide, white
Cover: stainless steel



Tolerances: ±0.20mm	Date	Name
	09/13	dr
Modifications	Date	Name

MMP 134-R

30 29 13

Page

1/1

knitter-switch