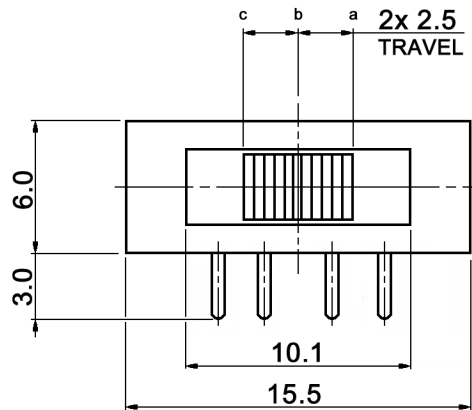
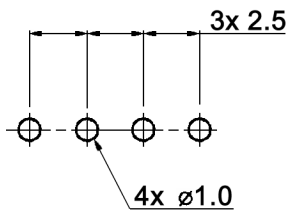


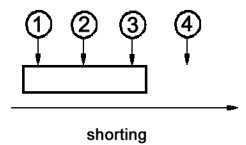
HOLE LAYOUT ± 0.05



Specifications:

Contact rating: 0.3A, 30V DC
Contact resistance: 20mOhm max.
Insulation resistance: 100MOhm min. at 500V DC for 1 minute
Dielectric strength: 500V AC (50/60 Hz, 2mA) for 1 minute
Operating temperature: -10°C to +60°C
Storage temperature: -40°C to +85°C
Mechanical life: 10 000 cycles
Operating force: a-b c-b: 200 +/-100gf
 b-a b-c: 300 +/-150gf
Soldering conditions: iron method: 350 +/-10°C, 3 +/-1 sec.
Material: Terminal: brass strip, silver plated
 Base: phenolic resin, natural
 Contact clip: C5210R-EH, silver plated
 Steel ball: carbon steel, natural
 Spring: SWC, temper
 Frame: SPCC, nickel plated
 Slider: POM, black

**CIRCUIT DIAGRAM
BOTTOM VIEW**



Compliance: RohS III (2015/863/EU)

Tolerances: up to 10: ±0.2mm above 10-50: ±0.3mm	Date	Name
	04/18	dr
Storage temperature	11/19	dr
Modifications	Date	Name

MFP 1320 R

knitter-switch

30 40 57

Page

1/1