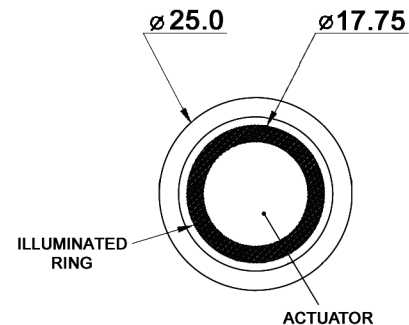
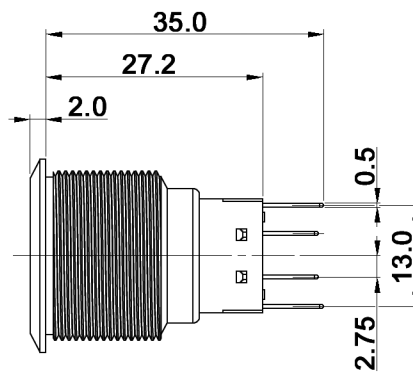
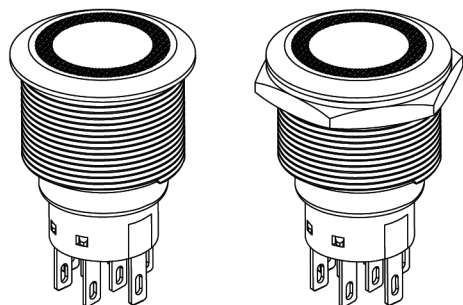
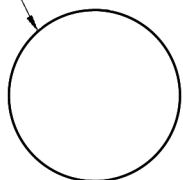


ASSEMBLED VIEW

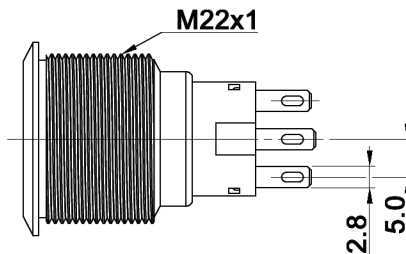
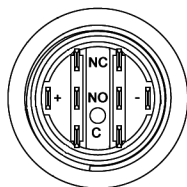


PANEL CUT-OUT

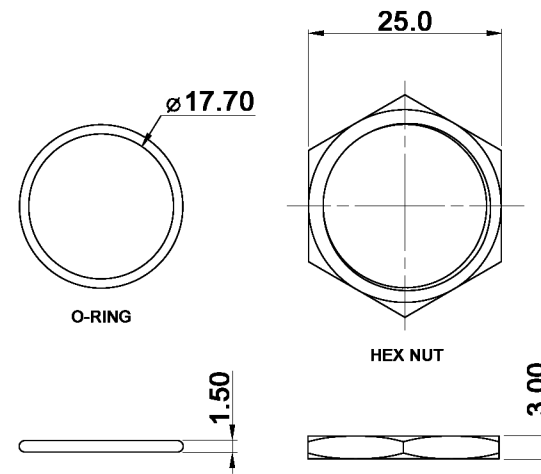
$\varnothing 22.00^{+0.20}_{-0}$



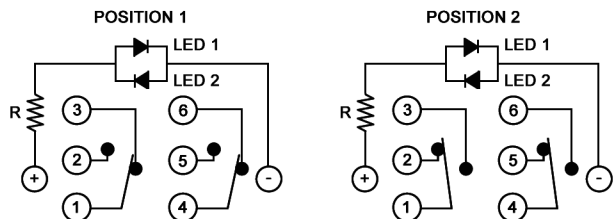
MAX. PANEL THICKNESS: 10mm



HARDWARE:



SCHEMATIC



Compliance: RohS III (2015/863/EU)

|   |       |       |                         |                          |
|---|-------|-------|-------------------------|--------------------------|
| Tolerances: 0.00: ±0.25mm<br>0.0: ±0.40mm |       | Date  | Name                    | <h1>MAV22A0F21ExyJR</h1> |
|   |       | 04/21 | dr                      |                          |
|   |       |       |                         |                          |
|   |       |       |                         |                          |
| LED color                                 | 10/23 | dr    | <h2>knitter-switch</h2> | <h1>30 46 28</h1>        |
| LED color                                 | 04/23 | dr    |                         |                          |
| Modifications                             | Date  | Name  |                         | Page<br>1/2              |

**Specifications:**

**Contact rating:** 3A, 250V AC  
**Contact resistance:** 50mOhm max. at 1A, 12V DC  
**Insulation resistance:** 1000MOhm min. at 500V DC  
**Dielectric strength:** 2000V RMS  
**Operating temperature:** -20°C to +55°C  
**Mechanical life:** 1 000 000 cycles  
**Electrical life:** 50 000 cycles (make and break cycles at full load)  
**Operating force:** 3.5 +/-1N  
**Timing:** latching  
**Travel:** 3.2mm  
**Torque:** 5-14Nm  
**IP protection:** IP67  
**IK class:** IK10  
**Material:** Bushing: stainless steel  
 Base: PBT (UL94V-0)  
 Actuator: PC, stainless steel  
 Inner assembly: POM, PA66  
 Spring: steel  
 O-ring: silicone  
 Contact: brass, coin silver, gold plated  
 Terminal: brass, gold plated  
 Hex nut: brass, nickel plated

| x | LED 1  | LED 2  | y   | LED voltage      |
|---|--------|--------|-----|------------------|
| 1 | white  | white  | 0   | without resistor |
| 3 | red    | red    | 3   | 3 V              |
| 5 | yellow | yellow | 6   | 6 V              |
| 6 | green  | green  | 12  | 12 V             |
| 7 | blue   | blue   | 24  | 24 V             |
| A | red    | green  | 36  | 36 V             |
| B | red    | blue   | 110 | 110 V            |
| D | blue   | yellow | 220 | 220 V            |
| G | red    | yellow |     |                  |
| H | green  | yellow |     |                  |
| J | orange | green  |     |                  |
| P | blue   | green  |     |                  |

Compliance: RohS III (2015/863/EU)

|   |       |      |                       |      |                        |
|---|-------|------|-----------------------|------|------------------------|
| Tolerances: 0.00: ±0.25mm<br>0.0: ±0.40mm |       |      | Date                  | Name | <b>MAV22A0F21ExyJR</b> |
|   |       |      | 04/21                 | dr   |                        |
|   |       |      |                       |      |                        |
|   |       |      |                       |      |                        |
| LED color                                 | 10/23 | dr   | <b>knitter-switch</b> |      | <b>30 46 28</b>        |
| LED color                                 | 04/23 | dr   |                       |      |                        |
| Modifications                             | Date  | Name |                       |      | Page<br>2/2            |