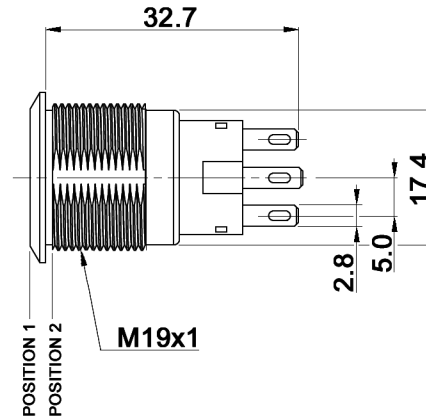
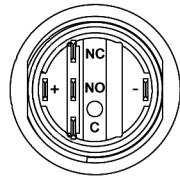
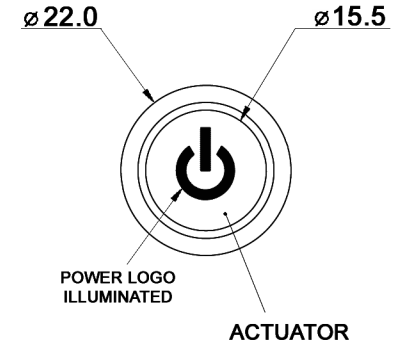
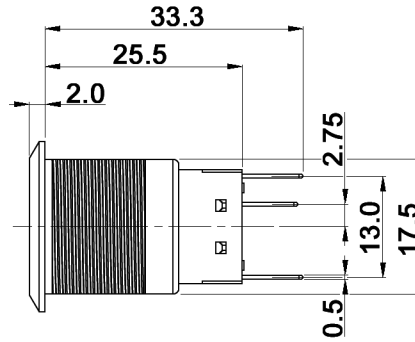
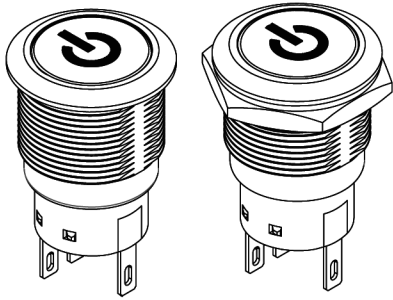
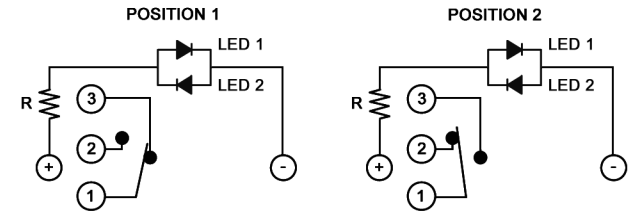


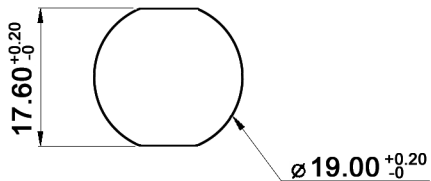
ASSEMBLED VIEW



SCHEMATIC



PANEL CUT-OUT
MAX. PANEL THICKNESS: 10.0mm



Compliance: RohS III (2015/863/EU)

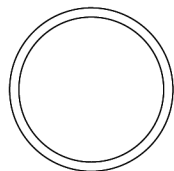
Tolerances: 0.00: $\pm 0.25\text{mm}$ 0.0: $\pm 0.40\text{mm}$			Date	Name	MAV19D0F11PxyJQ
			01/18	dr	
LED color	10/23	dr	knitter-switch		30 40 05
LED color	04/23	dr			
Panel cut-out	07/21	dr			
Modifications	Date	Name			Page 1/2

Specifications:

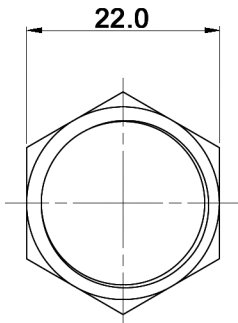
Contact rating: 3A, 250V AC; 3A, 28V DC
Contact resistance: 50mOhm max.
Insulation resistance: 1000MOhm min. at 500V DC
Dielectric strength: 2000V AC (50/60Hz) for 1 minute
Operating temperature: -20°C to +55°C
Mechanical life: 1 000 000 cycles
Electrical life: 50 000 cycles (make and break cycles at full load); 6 000 cycles DC
Operating force: 2.5 +/-1N
Soldering conditions: max. 290°C, max. 3sec.
Torque: 5 - 14Nm applied to nut
Switching function: ON - ON (latching)
Travel: 3.2 +/-0.3mm
IP rating: IP67
IK class: IK10
Material: Bushing: stainless steel
 Base: PBT (UL94V-0)
 Housing: PC (UL94V-2)
 Actuator: stainless steel
 Spring: steel
 Sealing / o-ring: silicone
 Terminal: brass, silver plated
 Contact: brass, silver plated
 Nut: brass, nickel plated
 Delivery with 1 hex nut, wrench size 22mm, and o-ring

x	LED 1	LED 2	y	LED voltage
1	white	white	0	without resistor
3	red	red	3	3 V
5	yellow	yellow	6	6 V
6	green	green	12	12 V
7	blue	blue	24	24 V
A	red	green	36	36 V
B	red	blue	110	110 V
D	blue	yellow	220	220 V
G	red	yellow		
H	green	yellow		
J	orange	green		
P	blue	green		

HARDWARE:



O-RING



HEX NUT

Compliance: RohS III (2015/863/EU)

Tolerances: 0.00: ±0.25mm 0.0: ±0.40mm			Date	Name	MAV19D0F11PxyJQ
			01/18	dr	
LED color	10/23	dr	knitter-switch		30 40 05
LED color	04/23	dr			
Panel cut-out	07/21	dr			
Modifications	Date	Name			Page 2/2