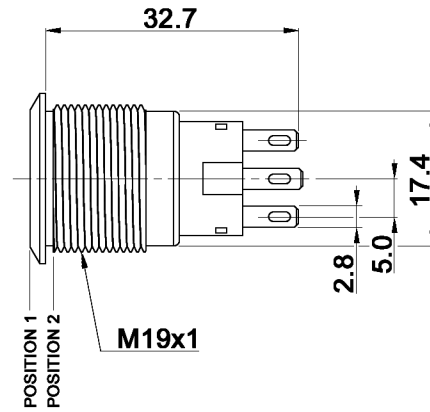
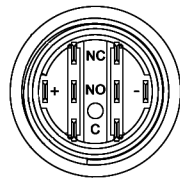
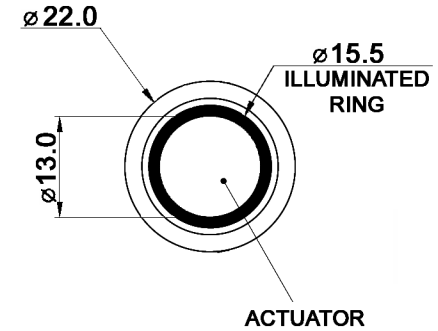
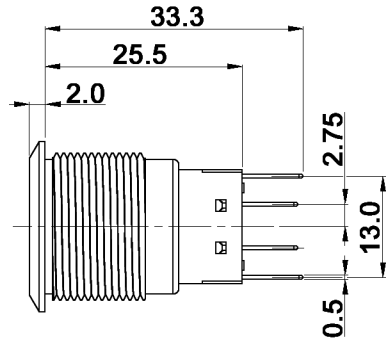
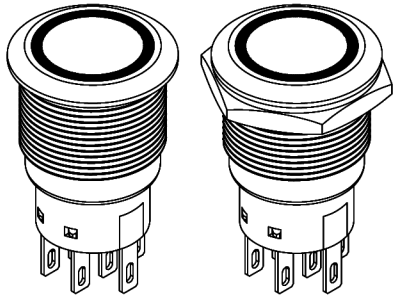
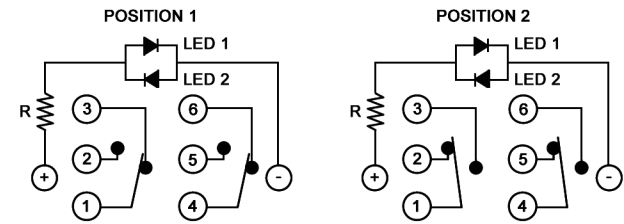


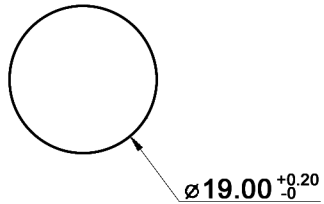
ASSEMBLED VIEW



SCHEMATIC



PANEL CUT-OUT  
MAX. PANEL THICKNESS: 10.0mm



Compliance: RohS III (2015/863/EU)

Tolerances: 0.00: ±0.25mm 0.0: ±0.40mm			Date	Name	<h1>MAV19A0F21ExyJR</h1>
			09/21	dr	
LED color	10/23	dr	<h2>knitter-switch</h2>		<h1>30 47 01</h1>
LED color	04/23	dr			
Modifications	Date	Name			Page 1/2

**Specifications:**

**Contact rating:** 3A, 28V DC; 3A, 250V AC  
**Contact resistance:** 50mOhm max. at 1A, 12V DC  
**Insulation resistance:** 1000MOhm min. at 500V DC  
**Dielectric strength:** 2000V AC (50/60Hz) for 1 minute  
**Operating temperature:** -20°C to +55°C  
**Mechanical life:** 500 000 cycles  
**Electrical life:** 50 000 cycles (make and break cycles at full load); 6 000 cycles DC  
**Operating force:** 2 poles: 3.5 +/-1N  
**Soldering conditions:** max. 290°C, max. 3sec.  
**Torque:** 5 - 14Nm applied to nut  
**Switching function:** DPDT, lock  
**Travel:** 3.2 +/-0.3mm  
**IP rating:** IP67  
**IK class:** IK10

**Illumination ring moveable**

**Material:** Bushing: stainless steel  
 Base: PBT (UL94V-0)  
 Housing: PC (UL94V-2)  
 Actuator: stainless steel  
 Spring: steel  
 Sealing / o-ring: silicone  
 Terminal: brass, gold plated  
 Contact: brass, gold plated over silver  
 Nut: brass, nickel plated

Delivery with 1 hex nut, wrench size 22mm, and o-ring

x	LED 1	LED 2	y	LED voltage
1	white	white	0	without resistor
3	red	red	3	3 V
5	yellow	yellow	6	6 V
6	green	green	12	12 V
7	blue	blue	24	24 V
A	red	green	36	36 V
B	red	blue	110	110 V
D	blue	yellow	220	220 V
G	red	yellow		
H	green	yellow		
J	orange	green		
P	blue	green		

Compliance: RohS III (2015/863/EU)

Tolerances: 0.00: ±0.25mm 0.0: ±0.40mm			Date 09/21	Name dr	<b>MAV19A0F21ExyJR</b>
LED color	10/23	dr	<b>knitter-switch</b>		<b>30 47 01</b>
LED color	04/23	dr			
Modifications	Date	Name			Page 2/2