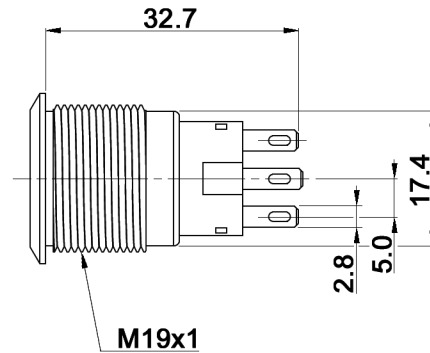
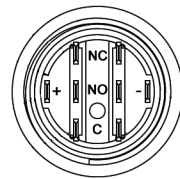
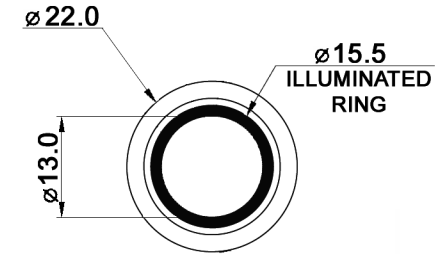
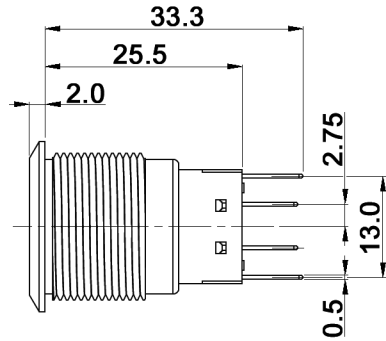
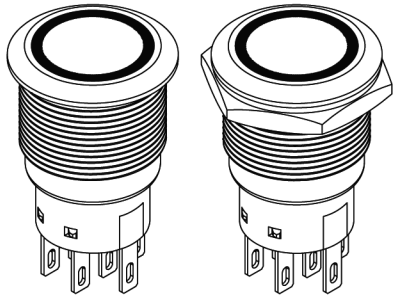
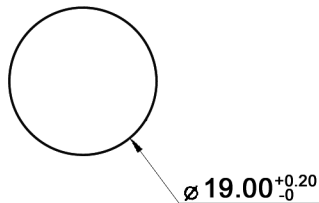


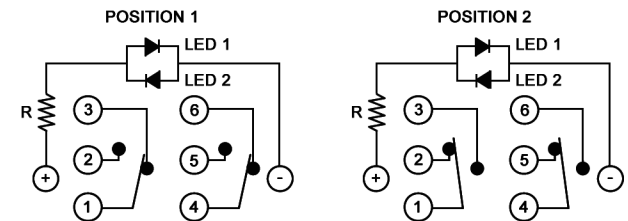
ASSEMBLED VIEW



PANEL CUT-OUT
MAX. PANEL THICKNESS: 10.0mm



SCHEMATIC



Compliance: RohS III (2015/863/EU)

| | | | | | |
|---|-------|------|-----------------------|------|--------------------------|
| Tolerances: 0.00: ±0.25mm 0.0: ±0.40mm | | | Date | Name | <h1>MAV19A0F20ExyJR</h1> |
| | | | 01/15 | dr | |
| | | | | | |
| | | | | | |
| LED color | 10/23 | dr | knitter-switch | | <h2>30 32 53</h2> |
| Operating force | 07/21 | dr | | | |
| Panel cut-out | 07/21 | dr | | | |
| Modifications | Date | Name | | | Page 1/2 |

Specifications:

Contact rating: 3A, 250V AC; 3A, 28V DC
Contact resistance: 50mOhm max.
Insulation resistance: 1000MOhm min. at 1000V DC, 100mA for 1 minute
Dielectric strength: 2000V AC (50/60Hz) for 1 minute
Operating temperature: -20°C to +55°C
Mechanical life: 1 000 000 cycles
Electrical life: 50 000 cycles (make and break cycles at full load); 6 000 cycles DC
Operating force: 2 poles: 3.5 +/-1 N
Soldering conditions: max. 290°C, max. 3sec.
Torque: 5 - 14Nm applied to nut
Switching function: DPDT, momentary
Travel: 3.2 +/-0.3mm
IP rating: IP67
IK class: IK10
Illumination ring moveable
Material: Bushing: stainless steel
 Base: PBT (UL94V-0)
 Housing: PC (UL94V-2)
 Actuator: stainless steel
 Spring: steel
 Sealing / o-ring: silicone
 Terminal / contact: copper alloy, gold plated
 Nut: brass, nickel plated

Delivery with 1 hex nut, wrench size 22mm, and o-ring

| x | LED 1 | LED 2 | y | LED voltage |
|---|--------|--------|-----|------------------|
| 1 | white | white | 0 | without resistor |
| 3 | red | red | 3 | 3 V |
| 5 | yellow | yellow | 6 | 6 V |
| 6 | green | green | 12 | 12 V |
| 7 | blue | blue | 24 | 24 V |
| A | red | green | 36 | 36 V |
| B | red | blue | 110 | 110 V |
| D | blue | yellow | 220 | 220 V |
| G | red | yellow | | |
| H | green | yellow | | |
| J | orange | green | | |
| P | blue | green | | |

Compliance: RohS III (2015/863/EU)

| | | | | | |
|---|-------|------|-----------------------|------|------------------------|
| Tolerances: 0.00: ±0.25mm 0.0: ±0.40mm | | | Date | Name | MAV19A0F20ExyJR |
| | | | 01/15 | dr | |
| | | | | | |
| | | | | | |
| | | | | | |
| LED color | 10/23 | dr | knitter-switch | | 30 32 53 |
| Operating force | 07/21 | dr | | | |
| Panel cut-out | 07/21 | dr | | | |
| Modifications | Date | Name | | | |
| | | | | | Page |
| | | | | | 2/2 |