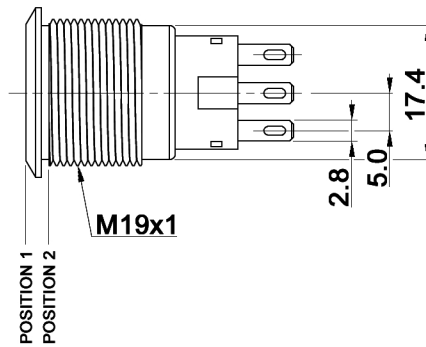
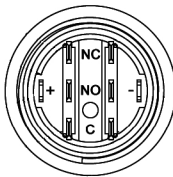
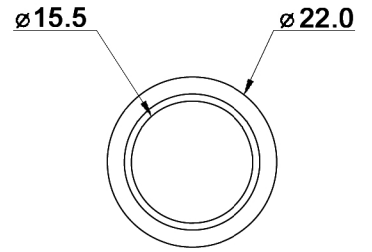
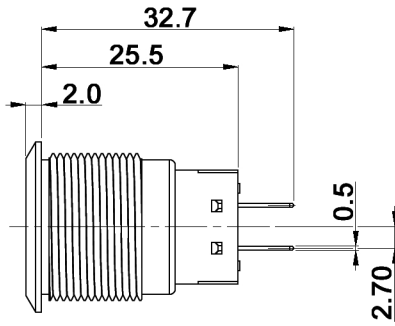
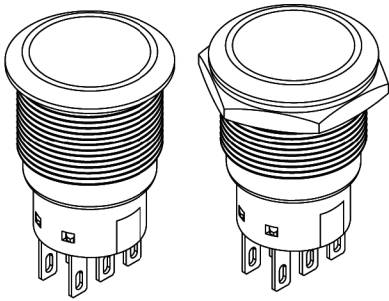
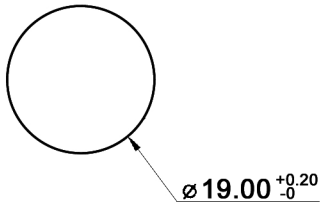


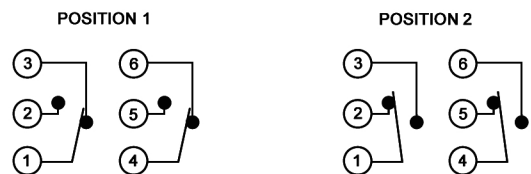
ASSEMBLED VIEW



PANEL CUT-OUT
MAX. PANEL THICKNESS: 10.0mm



SCHEMATIC



Compliance: RohS III (2015/863/EU)

Tolerances: 0.00: $\pm 0.25\text{mm}$ 0.0: $\pm 0.40\text{mm}$		Date	Name
		12/23	dr
Modifications	Date	Name	

MAV19A0F200JR

knitter-switch

30 52 82

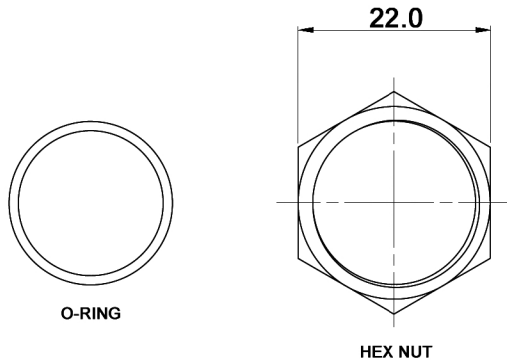
Page

1/2

Specifications:

Contact rating: lth 5A, 250V AC
 resistive load: 3A, 250V AC; 300mA, 250V DC; 3A, 28V DC
Contact resistance: 50mOhm max. at 1A, 12V DC
Insulation resistance: 1000MOhm min. at 500V DC
Dielectric strength: 2000V RMS
Operating temperature: -20°C to +55°C
Mechanical life: 1 000 000 cycles
Electrical life: 50 000 cycles (make-and-break cycles at full load); 6 000 cycles DC
Operating force: 3.5 +/-1N
Soldering conditions: max. 290°C, max. 3sec.
Torque: 5 - 14Nm applied to nut
Switching function: DPDT, momentary
Travel: 3.2 +/-0.3mm
IP rating: IP67
IK class: IK10
Material: Bushing: stainless steel
 Base: PBT (UL94V-0)
 Housing: PC (UL94V-2)
 Actuator: stainless steel
 Spring: steel
 Sealing / o-ring: silicone
 Terminal: brass, gold plated
 Contact: brass, gold plated
 Nut: brass, nickel plated
 Delivery with 1 hex nut, wrench size 22mm, and o-ring

HARDWARE:



Compliance: RohS III (2015/863/EU)

Tolerances: 0.00: ±0.25mm 0.0: ±0.40mm		Date	Name	MAV19A0F200JR
		12/23	dr	
			knitter-switch	30 52 82
Modifications			Date	Name