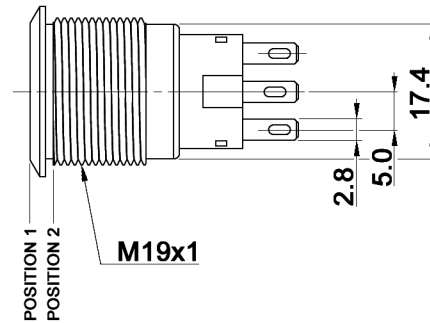
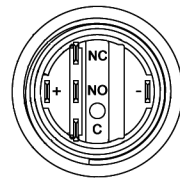
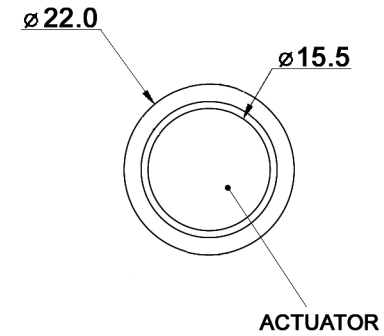
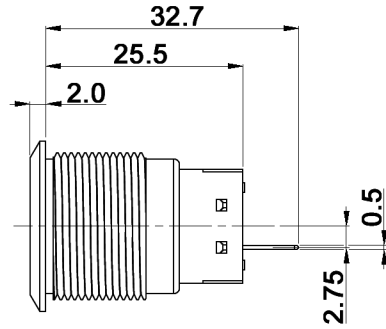
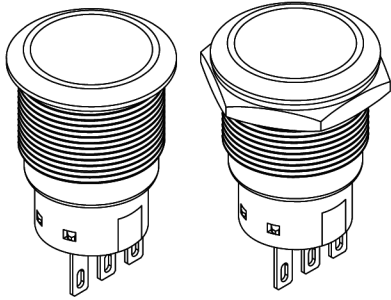
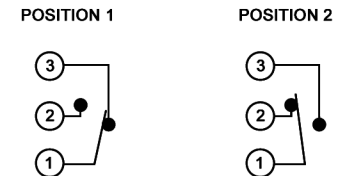


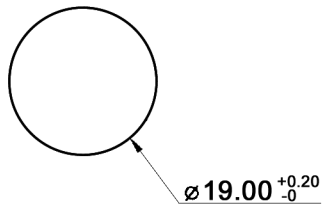
ASSEMBLED VIEW



SCHEMATIC



PANEL CUT-OUT  
MAX. PANEL THICKNESS: 10.0mm



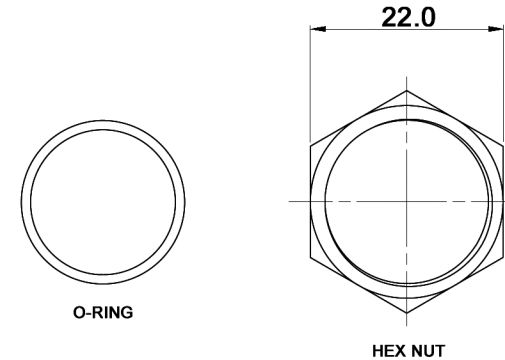
Compliance: RohS III (2015/863/EU)

Tolerances: 0.00: ±0.25mm 0.0: ±0.40mm			Date	Name	<h1>MAV19A0F100JQ</h1>
			06/15	dr	
Panel cut-out	07/21	dr	<b>knitter-switch</b>		<h2>30 33 42</h2>
Rename	02/19	dr			
Modifications	Date	Name			1/2

**Specifications:**

**Contact rating:** 3A, 250V AC; 3A, 28V DC  
**Contact resistance:** 50mOhm max. at 1A, 12V DC  
**Insulation resistance:** 1000MOhm min. at 500V DC  
**Dielectric strength:** 2000V AC (50/60Hz) for 1 minute  
**Operating temperature:** -20°C to +55°C  
**Mechanical life:** 1 000 000 cycles  
**Electrical life:** 50 000 cycles (make and break cycles at full load); 6 000 cycles DC  
**Operating force:** 2.5 +/-1N  
**Soldering conditions:** max. 290°C, max. 3sec.  
**Torque:** 5 - 14Nm applied to nut  
**Switching function:** momentary  
**Travel:** 3.2 +/-0.3mm  
**IP rating:** IP67  
**IK class:** IK10  
**Material:** Bushing: stainless steel  
 Base: PBT (UL94V-0)  
 Housing: PC (UL94V-2)  
 Actuator: stainless steel  
 Spring: steel  
 Sealing / o-ring: silicone  
 Terminal / contact: copper, silver plated  
 Nut: brass, nickel plated  
 Inner assembly: POM

**HARDWARE:**



Compliance: RohS III (2015/863/EU)

Tolerances: 0.00: ±0.25mm 0.0: ±0.40mm			Date	Name	<b>MAV19A0F100JQ</b>
			06/15	dr	
Panel cut-out	07/21	dr	<b>knitter-switch</b>		<b>30 33 42</b>
Rename	02/19	dr			
Modifications	Date	Name			Page 2/2