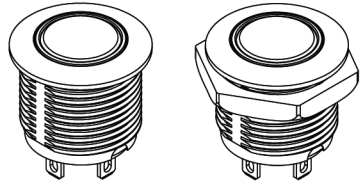
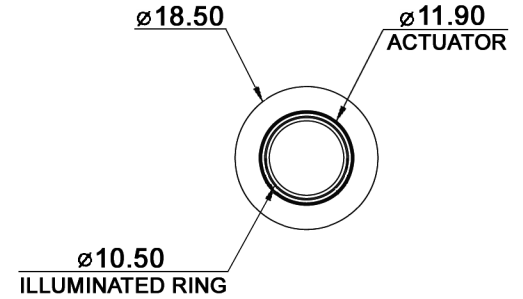
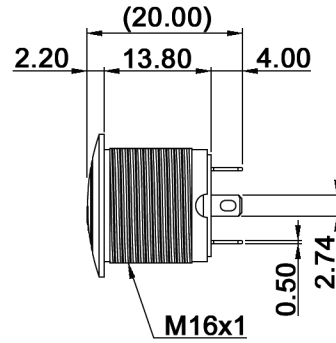
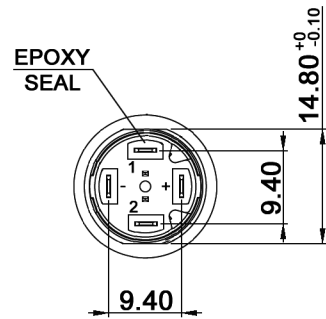


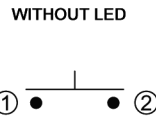
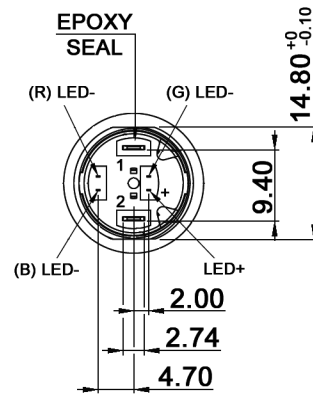
ASSEMBLED VIEW



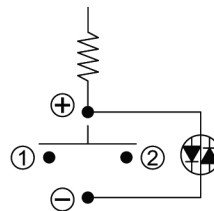
All models excepted RGB



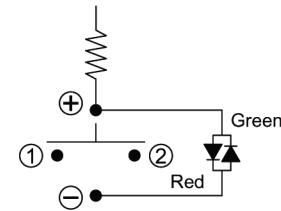
RGB models



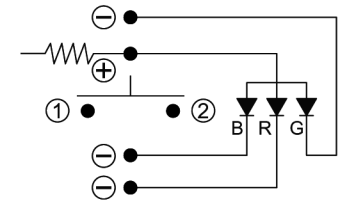
SINGLE COLOR LED



DUAL COLOR LED

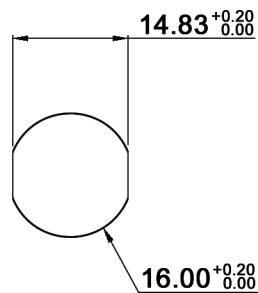


RGB COLOR LED



CIRCUIT DIAGRAM

PANEL CUT-OUT



THICKNESS 8.0mm max.

Compliance: RohS III (2015/863/EU)

Tolerances: 0.00: ±0.25mm 0.0: ±0.40mm			Date 09/15	Name dr
Material	06/22	dr		
RGB voltage	07/21	dr		
RGB	09/17	dr		
LED limitation	06/17	dr		
Revised	11/16	dr		
Base color	07/16	dr		
Modifications	Date	Name		

MAV16CxRE-y-JR-zV

knitter-switch

30 34 19

Page

1/2

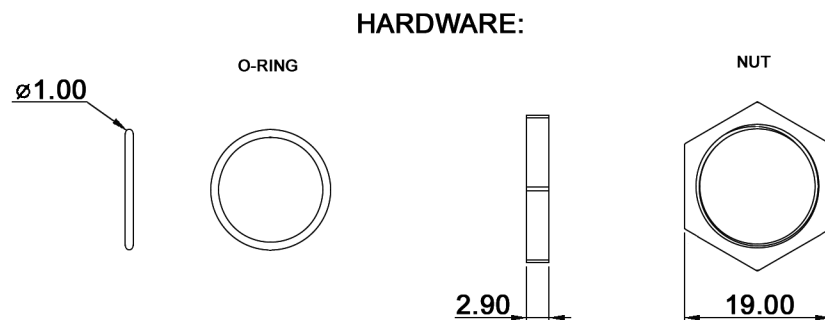
Specifications:

Contact rating: 2A, 36V DC
Contact resistance: 50mOhm max.
Insulation resistance: 1000MOhm min. at 500V DC
Dielectric strength: 2000V AC (50/60Hz) for 1 minute
Operating temperature: -20°C to +70°C
Mechanical life: 1 000 000 cycles
Electrical life: 200 000 make-and-break cycles at full load
Operating force: 4.5 +/-1.5N
Torque: 11.5kgf.cm
Soldering conditions: iron soldering: 290°C, 3sec., 60W
Full travel: 2.0 +/-0.20mm
IP rating: IP67
Material: Base: PBT (UL-94V0), white
 Actuator: PC (UL94V2), translucent
 Spring: steel
 Sealing / O-ring: silicone, translucent
 Nut: brass, nickel plated
 Contact: silver, surface gold flash
 Terminal: brass, silver plated, surface gold flash
 Bushing: aluminum alloy

LED data:

I_F: 20mA max.
U_F: white, 3.7V max.
 red, 2.5V max.
 yellow, 2.5V max.
 blue, 3.7V max.
 green, 3.7V max.

x	Bushing and button material
A	aluminum alloy (natural anodized)
B	aluminum alloy (black anodized)
y	LED color
0	without LED
1	white
3	red
5	yellow
6	green
7	blue
A	red/green
RGB	red/green/blue
z	LED voltage
0	without resistor
3	3V DC, 20mA (red and yellow LED only)
6	6V DC, 20mA
12	12V DC, 20mA
24	24V DC, 20mA



Compliance: RohS III (2015/863/EU)

Tolerances: 0.00: ±0.25mm 0.0: ±0.40mm			Date	Name	<h1>MAV16CxRE-y-JR-zV</h1>
			09/15	dr	
Material	06/22	dr			
RGB voltage	07/21	dr			
RGB	09/17	dr			
LED limitation	06/17	dr	knitter-switch		<h2>30 34 19</h2>
Revised	11/16	dr			
Base color	07/16	dr			
Modifications	Date	Name			Page 2/2