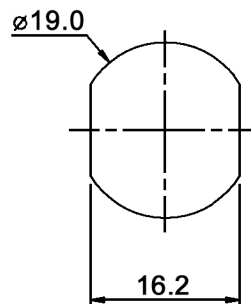
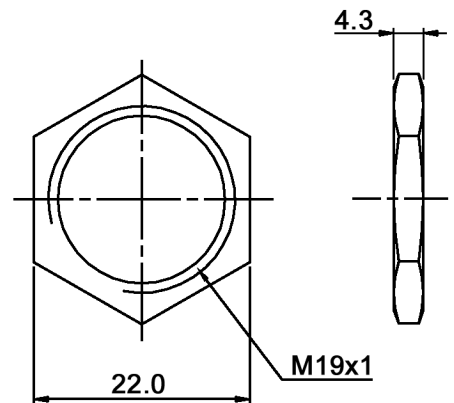


Recommended hole size



HARDWARE:



**Specifications:**

Contact rating: 2 A, 250 V AC; 4 A, 125 V AC  
 Contact resistance: 50 mOhm max.  
 Insulation resistance: 500 MOhm min.  
 Dielectric strength: 1500 V, 50 Hz for the duration of 1 minute  
 Operating temperature: -20°C to +70°C  
 Mechanical life: min. 10 000 steps  
 Switching function: SP, on - on (terminal connection 1-8, 1-3)  
 Material: Case: zinc alloy, chromium plated  
 Contacts / terminals: gold plated  
 Key: steel, nickel plated

Key removable: Pos. I and II  
 Number of keys supplied: 2  
 Compliance: RohS III (2015/863/EU)

Tolerances:	>0: ±0.1 mm	Date	Name
	>6: ±0.2 mm	08/20	dr
	>30: ±0.3 mm		

**MRK 2021 R**

**knitter-switch**

**30 44 65**

Page

1/1

Modifications      Date      Name