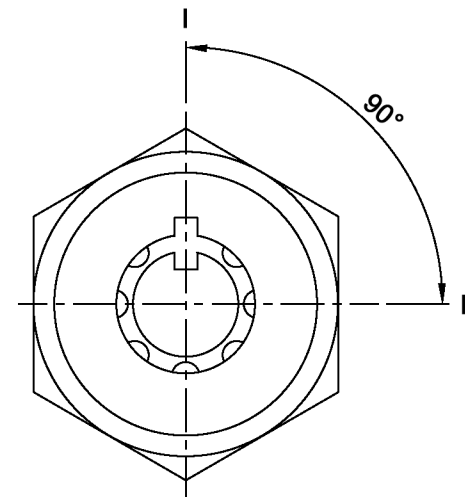
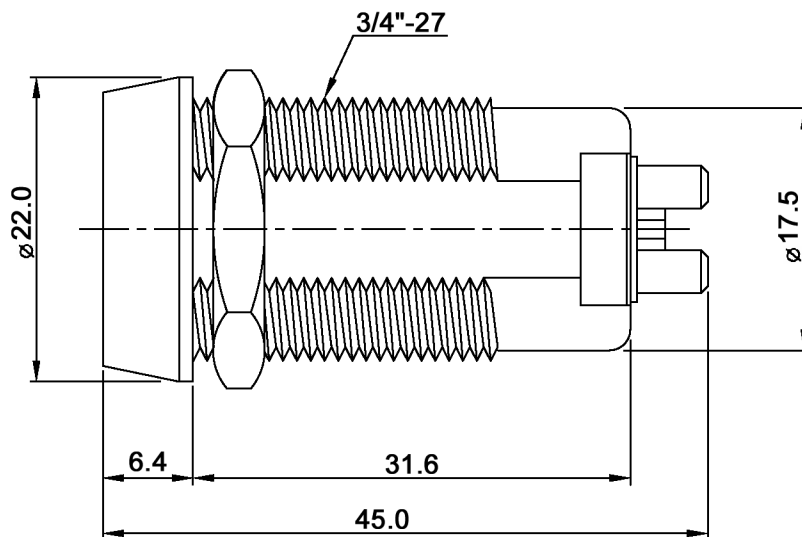
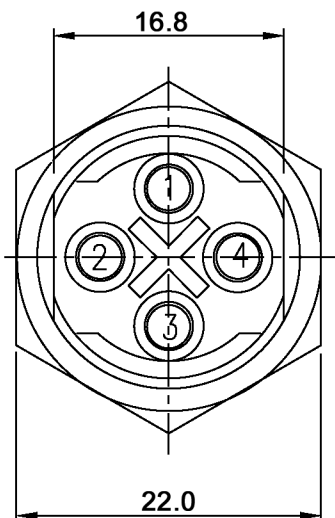
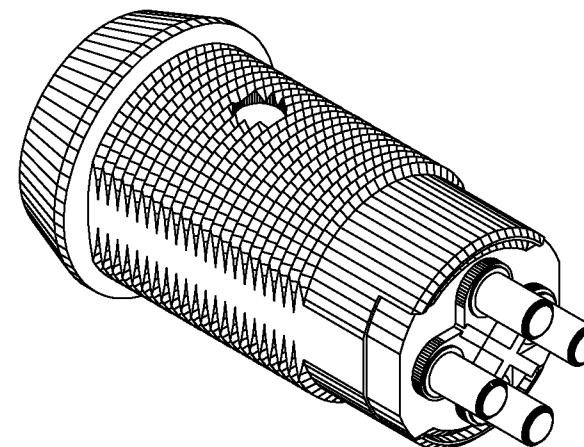
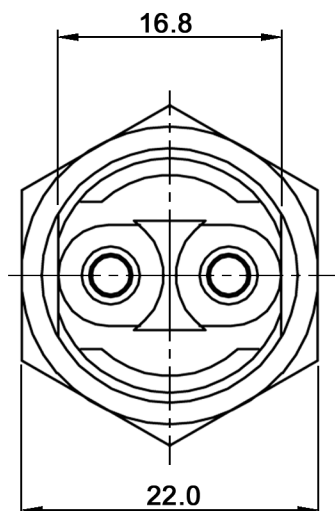


MRK 202-DA



MRK 202-1, MRK 202-2, MRK 202-A



x	Switching function	Key removable in pos.
1	off - on	I
2	off - on	I, II
A	off - mom	I
DA	on(1-3) - mom(2-4)	I

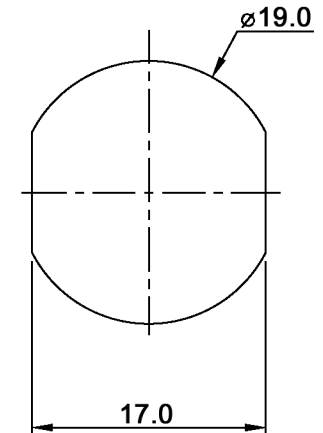
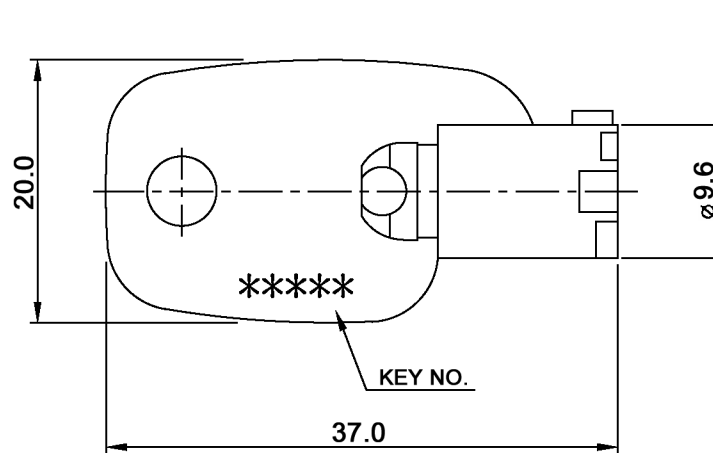
Compliance: RohS III (2015/863/EU)

Tolerances: >0: ±0.3 mm >6: ±0.5 mm >30: ±0.8 mm			Date	Name	<h1>MRK 202-x</h1>
			08/17	dr	
					<h2>30 39 21</h2>
Revised	08/20	dr	knitter-switch		Page
Modifications	Date	Name			1/2

Specifications:

Contact rating: 2 A, 250 V AC; 4 A, 125 V AC
Contact resistance: 50 mOhm max.
Insulation resistance: 500 MOhm min.
Dielectric strength: 1500 V, 50 Hz for the duration of 1 minute
Operating temperature: -20°C to +70°C
Mechanical life: min. 10 000 steps
Material: Case: zinc alloy, chromium plated
 Contacts / terminals: silver plated
 Key: steel, nickel plated
Number of keys supplied: 2

RECOMMENDED HOLE SIZE



Compliance: RohS III (2015/863/EU)

Tolerances: >0: ±0.3 mm >6: ±0.5 mm >30: ±0.8 mm	Date	Name	MRK 202-x
	08/17	dr	
			30 39 21
Revised	08/20	dr	Page 2/2
Modifications	Date	Name	