

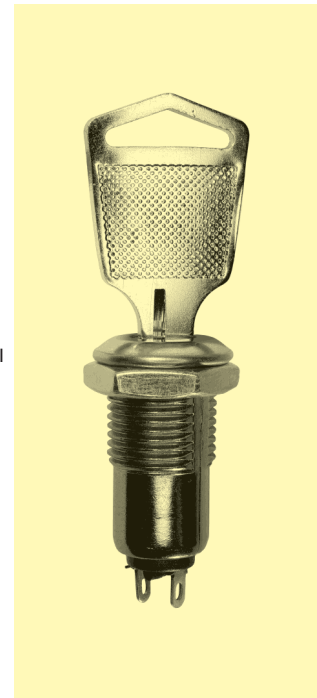
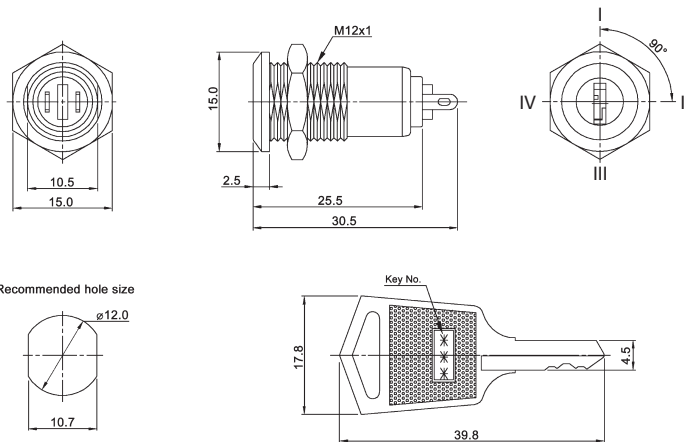
Key Switches



Specifications:

Contact rating:	125 V AC, 200 mA
Contact resistance:	< 10 mΩ
Insulation resistance:	> 200 MΩ
Dielectric strength:	1000 V, 50 Hz for the duration of 1 minute
Operating temperature:	-20 °C to +70 °C
Mechanical life:	minimum 6 000 steps
Material:	Case: zinc alloy, chromium-plated Contacts and Terminals: silver-plated Key: brass, nickel-plated
Angle between 2 positions:	90°
Mounting:	single-hole mounting, 12 mm diameter

Models:	Switching functions	Key removable in pos
MRK 1091 B-1	off – on	I
MRK 1091 B-2	off – on	I, II
MRK 1343 B-1	on – on – on	I, II, III
MRK 1344	on – on – on – on	I, II, III, IV



Switches are always supplied with 2 keys.